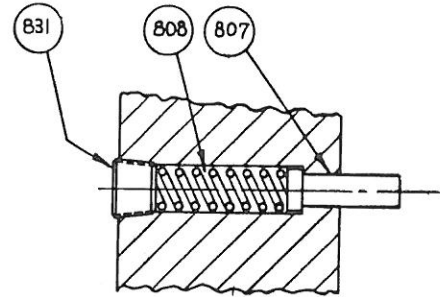
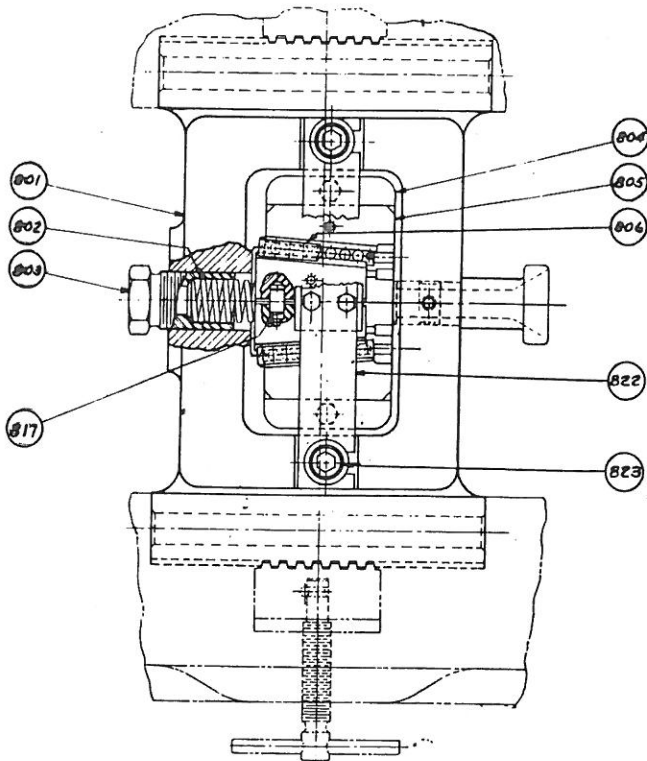


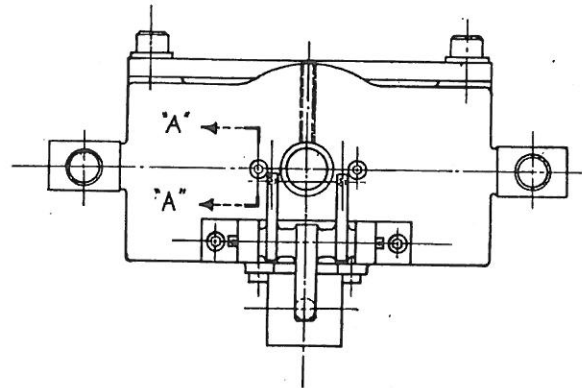
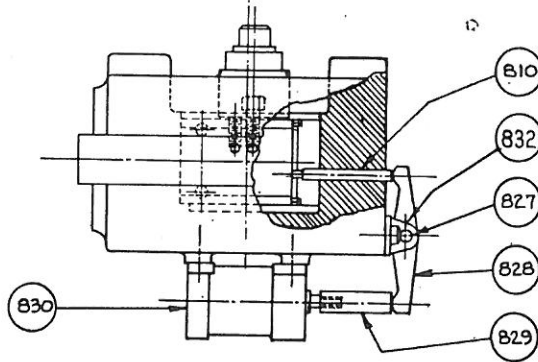
INCHING, GRIP BOX
PARTS LIST

A J A X

SHEET WD-7-C



SECTION AA



800 INCHING GRIP BOX COMPLETE WITH PARTS LISTED BELOW

- 801 INCHING GRIP BOX
- 802 SPRING FOR INCHING GRIP BLOCK
- 803 HOLLOW SCREW
- 804 BACKING BLOCKS
- 805 STATIONARY WEDGE BLOCKS
- 806 INCHING GRIP ROLLER CAGES
- 807 PLUGS FOR ROLLER CAGE SPRINGS
- 808 ROLLER CAGE ACTUATING SPRINGS
- 810 PINS FOR GRIP BLOCK RELEASE

- 817 PINS FOR GRIP BLOCKS
- 822 GRIP BLOCK RETAINING BAR
- 823 COLLAR SCREWS FOR RETAINING BAR
- 827 FULCRUM PIN FOR GRIP RELEASE LEVER
- 828 GRIP RELEASE LEVER
- 829 CYLINDER ROD EXTENSION
- 830 AIR CYLINDER
- 831 PIPE PLUGS
- 832 BRACKET FOR RELEASE LEVER

WHEN ORDERING REPLACEMENTS STATE
SERIAL NUMBER AND SIZE STAMPED ON
NAME PLATE OF MACHINE AND DESIGNATE
PART BY BOTH NAME AND NUMBER.

THE AJAX MANUFACTURING CO.
CLEVELAND OHIO, 44117