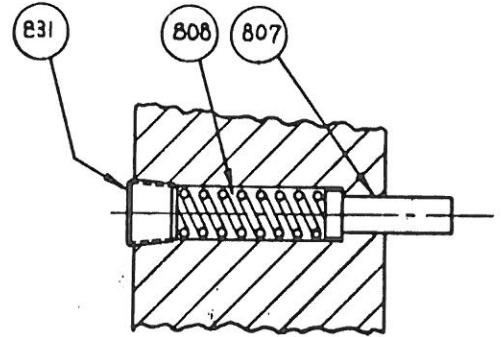
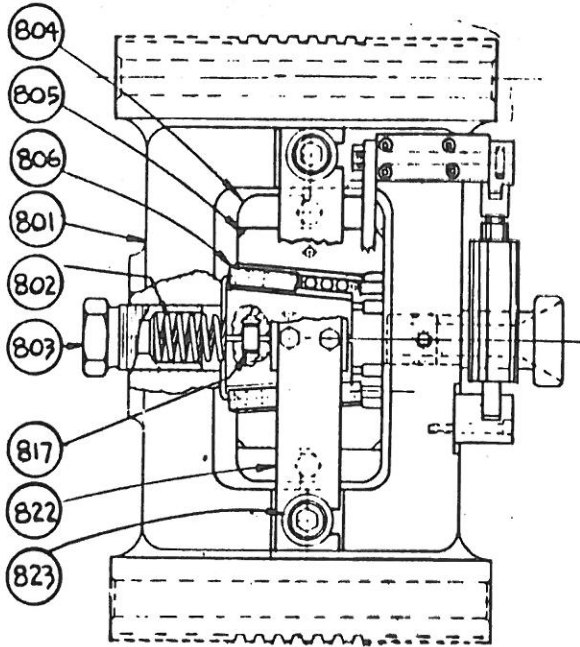


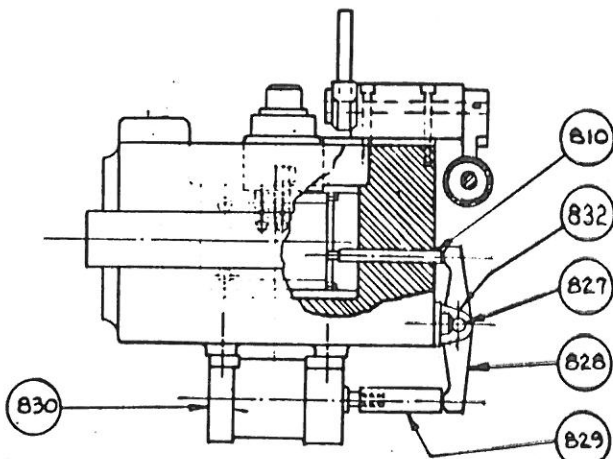
INCHING GRIPBOX  
PARTS LIST  
SHEET No WD7D

**Ajax**

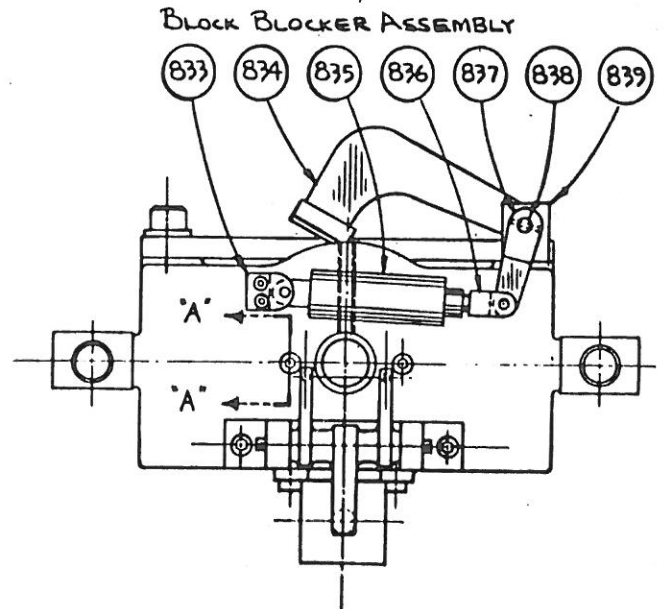
WHEN ORDERING REPLACEMENTS  
STATE SERIAL NUMBER AND SIZE  
STAMPED ON NAMEPLATE OF  
MACHINE AND DESIGNATE PART  
BY BOTH NAME AND NUMBER.



SECTION AA



Block Release Assembly



Block Blocker Assembly

- |                                                      |                                        |
|------------------------------------------------------|----------------------------------------|
| 800 INCHING GRIPBOX COMPLETE WITH PARTS LISTED BELOW | 827 FULCRUM PIN FOR GRIP RELEASE LEVER |
| 801 INCHING GRIPBOX                                  | 828 GRIP RELEASE LEVER                 |
| 802 SPRING FOR INCHING GRIPBLOCK                     | 829 CYLINDER ROD EXTENSION             |
| 803 HOLLOW SCREW                                     | 830 AIR CYLINDER FOR RELEASE ASSEMBLY  |
| 804 BACKING BLOCK                                    | 831 PIPE PLUG                          |
| 805 STATIONARY WEDGE BLOCK                           | 832 BRACKET FOR RELEASE LEVER          |
| 806 INCHING GRIP ROLLER CAGE                         | 833 ANCHOR                             |
| 807 PLUG FOR ROLLER CAGE SPRING                      | 834 BLOCKER                            |
| 808 ROLLER CAGE ACTUATING SPRING                     | 835 CYLINDER FOR BLOCKER ASSEMBLY      |
| 810 PIN FOR GRIPBLOCK RELEASE                        | 836 CLEVIS                             |
| 817 PIN FOR GRIPBLOCK ALIGNMENT                      | 837 ARM                                |
| 822 GRIPBLOCK RETAINER BAR                           | 838 PIN FOR BLOCKER                    |
| 823 COLLAR SCREW FOR RETAINER BAR                    | 839 PIVOT                              |

THE AJAX MANUFACTURING COMPANY  
CLEVELAND OHIO 44117