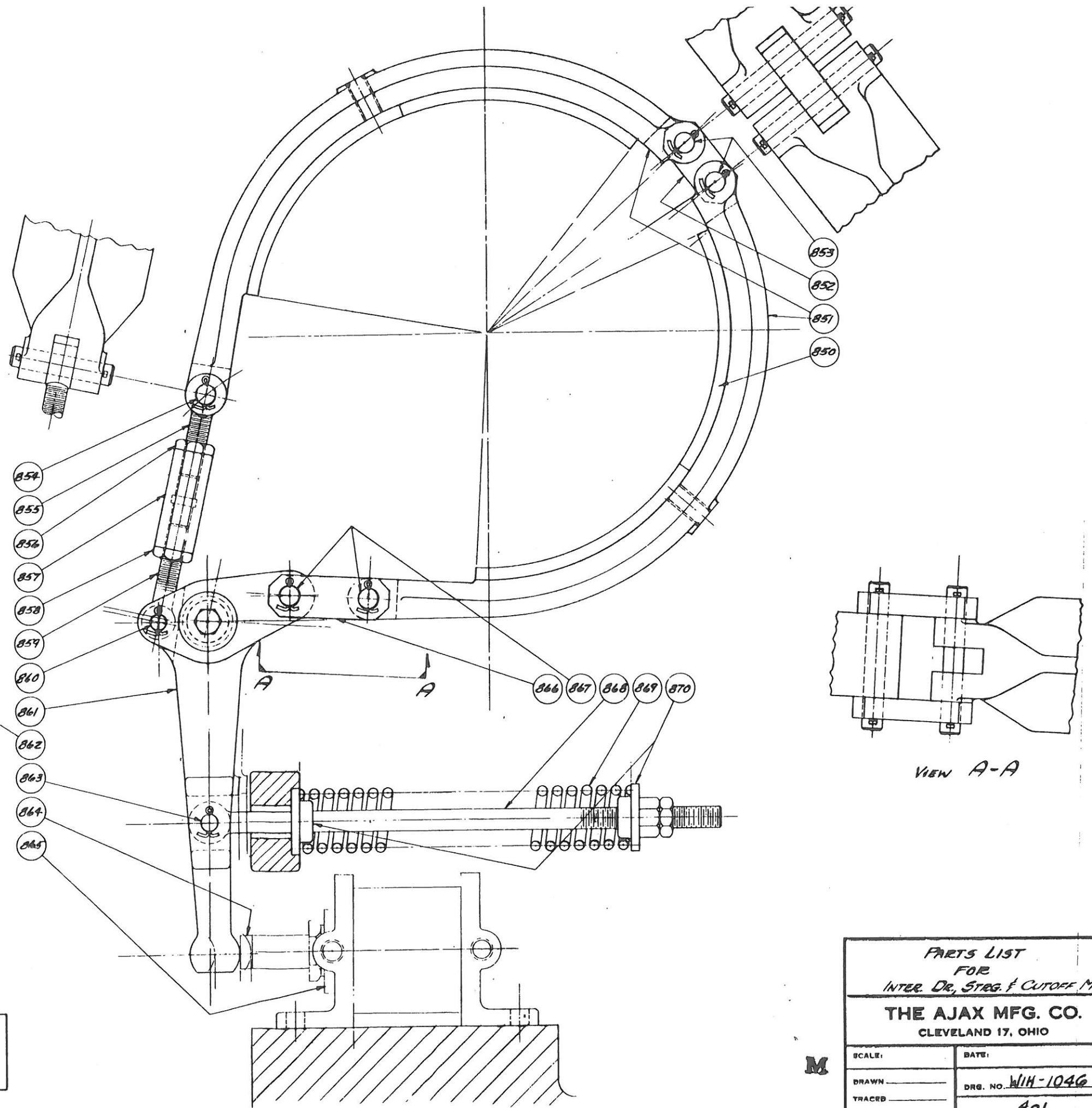


850	BRAKE LININGS
851	BRAKE SHOES
852	BRAKE SHOE CONN. LINK
853	BRAKE SHOE CONN. LINK PINS
854	BRAKE ADJ. TOP EYE BOLT PIN
855	BRAKE ADJ. TOP EYE BOLT
856	BRAKE ADJ. TURNBUCKLE - RH. LOCKNUT
857	BRAKE ADJ. TURNBUCKLE
858	BRAKE ADJ. TURNBUCKLE - LH. LOCKNUT
859	BRAKE ADJ. BOTTOM EYE BOLT
860	BRAKE ADJ. BOTTOM EYE BOLT PIN
861	BRAKE LEVER
862	BRAKE LEVER FULCRUM PIN BUSH.
863	BRAKE SPRING ADJ. ROD PIN
864	BRAKE CYL. PISTON ROD END
865	AIR CYLINDER
866	BRAKE SHOE ANCHOR LINK
867	BRAKE SHOE ANCHOR LINK PIN
868	BRAKE SPRING ADJ. ROD
869	BRAKE SPRING
870	BRAKE SPRING COLLARS



WHEN ORDERING REPLACEMENTS STATE SERIAL NUMBER AND SIZE STAMPED ON NAME PLATE OF MACHINE AND DESIGNATE PART BY BOTH NAME AND NUMBER

PARTS LIST FOR INTER DR., STEP. & CUTOFF MACH.	
THE AJAX MFG. CO. CLEVELAND 17, OHIO	
SCALE:	DATE:
DRAWN _____	DRG. NO. <i>WIH-1046</i>
TRACED _____	CHECKED NO. <i>401</i>
CHECKED _____	FILE NO. _____

M