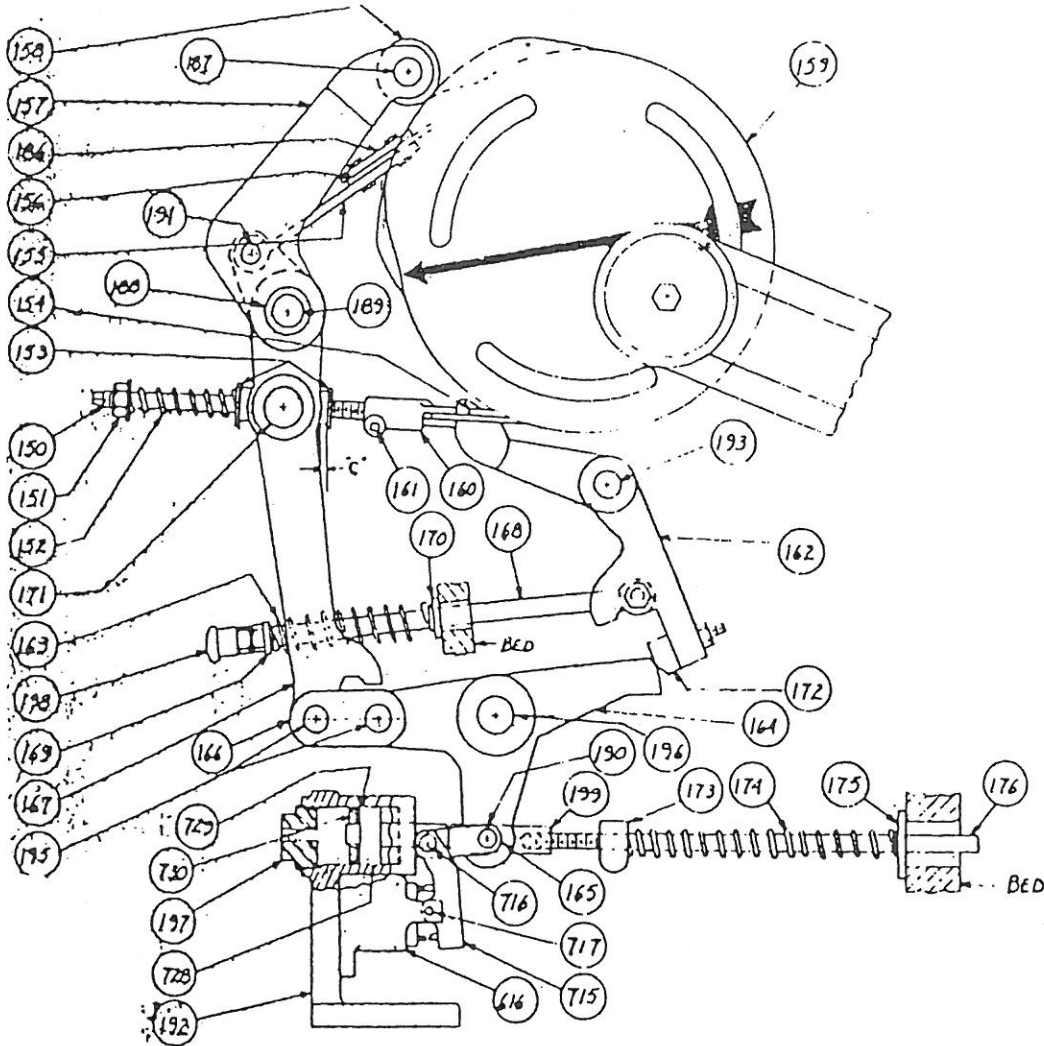


BRAKE & TIMER PARTS LIST
1" & 1/2" F.M.

Ajax

SHEET C-2-A



- 150 BRAKE SPRING ADJUSTING ROD
- 151 SPRING ADJUSTING NUT
- 152 BRAKE SPRING
- 153 BRAKE SPRING ROD WASHER
- 154 BRAKE LUNG
- 155 BRAKE BAND END
- 156 BRAKE BAND
- 157 CAM BRAKE LEVER
- 158 BRAKE CAM ROLLER
- 159 BRAKE DRUM, CAM, AND ECCENTRIC
- 160 BRAKE BAND ADJUSTING END
- 161 BRAKE BAND ADJUSTING CLAMP SCREW
- 162 TIMER TRIP LEVER
- 163 TRIP LATCH SPRING
- 164 BRAKE BELL CRANK
- 165 VALVE LEVER CONNECTING LINK
- 166 BRAKE LEVER CONNECTING LINK
- 167 SPRING BRAKE LEVER
- 168 CAM TRIP LEVER SPRING ROD
- 169 SPRING GUIDE WASHER
- 170 SPRING ROD GUIDE
- 171 ROCKER PIN
- 172 VALVE MOUNTING BRACKET AND TRIP CYLINDER
- 173 TRIP LATCH SPRING COLLAR

- 174 TRIP LATCH SPRING
- 175 TRIP LATCH SPRING WASHER
- 176 TRIP LATCH SPRING ROD
- 186 BRAKE BAND ATTACHING PLATE
- 187 CAM ROLLER PIN
- 188 CAM BRAKE LEVER BUSHING
- 189 CAM BRAKE LEVER FULCRUM PIN
- 190 VALVE LEVER CONNECTING LINK PIN
- 191 BRAKE BAND ANCHOR PIN
- 192 VALVE MOUNTING BRACKET AND TRIP CYLINDER
- 193 TIMER TRIP LEVER FULCRUM PIN
- 195 BRAKE LEVER CONNECTING LINK PIN
- 196 BRAKE BELL CRANK FULCRUM PIN
- 197 TRIP CYLINDER PLUG
- 198 SPRING ROD PUSHBUTTON
- 199 SPRING ROD CONNECTING END
- 616 CLUTCH OPERATING VALVE
- 715 VALVE OPERATING LEVER
- 716 VALVE LEVER COUPLING PIN
- 717 VALVE LEVER FULCRUM PIN
- 728 TRIP LATCH CYLINDER PISTON
- 729 PISTON PACKING
- 730 PISTON PACKING FOLLOWER RING