

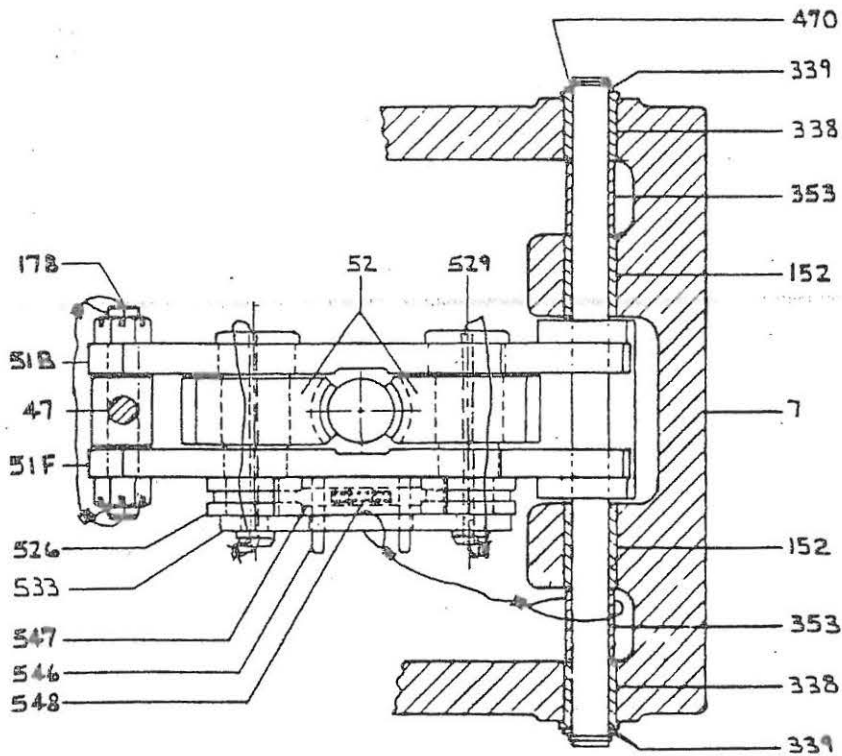
SECTION IX

PARTS LISTS - GEAR TYPE ROD CLAMP

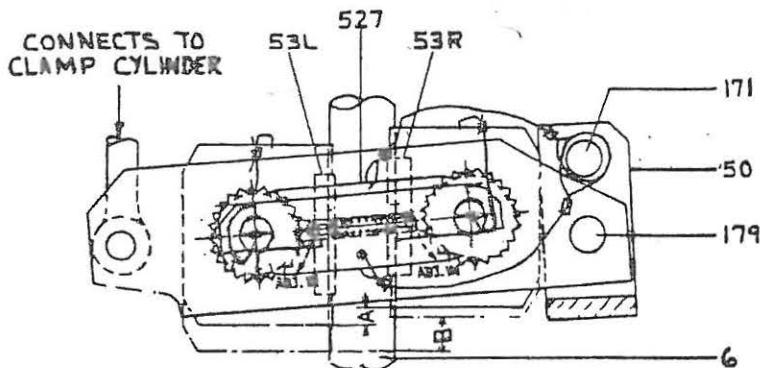
<u>Pc. No.</u>	<u>Name</u>
6	Piston Rod
7	Yoke
47	Connection Rod
50	Clamp Hanger
51F	Clamp Bar - Front
51B	Clamp Bar - Back
52	Rod Clamp
53L	Half Clamp Bushing - LH
53R	Half Clamp Bushing - RH
152	Bushing
171	Pin
178	Stud
179	Pin (500 lb. thru 5000 lb.)
179	Stud (6000 lb. & larger)
338	Bushing
339	Washer
353	Spacer
3531	Spacer (6000 lb. & larger)
470	"O" Ring
526	Clutch
527	Plate
529	Pin
533	Retainer
546	Pin
547	Plunger
548	Spring
549	Plier

SECTION IX - CECO-DROP - LINE DRAWINGS & PARTS LISTS

FIXED

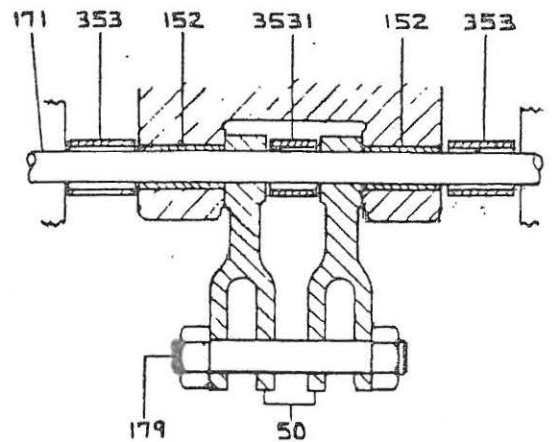


SECTIONAL VIEW ON YOKE SHOWING
TOP OF ROD CLAMP WITH ROD CLAMP
HANGER FOR 500 TO 5000 LBS.
CECO-DROP



A-MINIMUM FALL AFTER ADJUSTMENT
B-MAXIMUM ALLOWABLE FALL

ADJUSTABLE ROD CLAMP ARRANGEMENT



SECTIONAL VIEW OF ROD CLAMP HANGER
ARRANGEMENT - 6000 LBS. AND LARGER
CECO-DROP