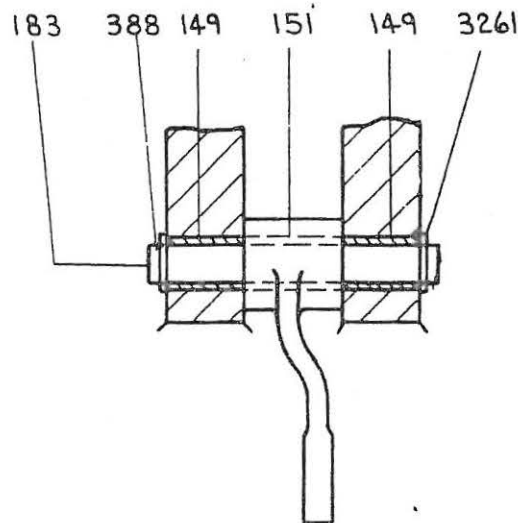
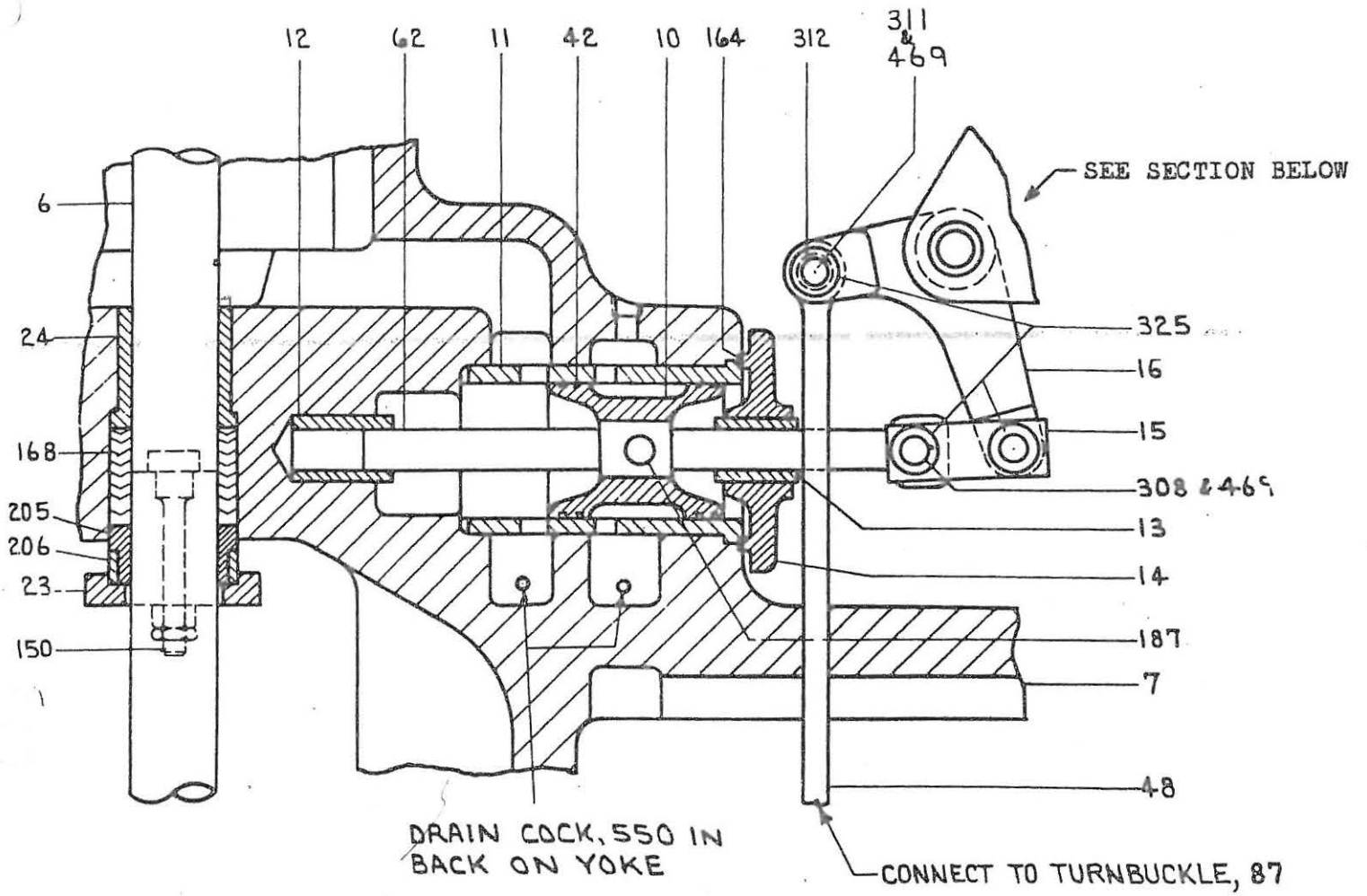


SECTION IXPARTS LISTS - MAIN VALVE

<u>Pc. No.</u>	<u>Name</u>
6	Piston Rod
7	Yoke
10	Main Valve
11	Main Valve Seat
12	Valve Stem Bushing
13	Cover Bushing
14	Main Valve Cover
15	Main Valve Link
16	Main Valve Arm
23	Piston Gland Flange
24	Yoke Throat Bushing
42	Piston Ring
48	Valve Connection
62	Main Valve Stem
149	Bushing
150	Piston Gland Stud
151	Arm Bushing
164	Gasket
168	Piston Rod Packing
183	Pin
187	Pin
205	Piston Gland Bushing
206	Piston Gland Body
308	Pin
311	Pin
312	Bushing
325	Washer
3261	Washer (500, 750, 2500 lb. & Larger)
388	"O" Ring
469	"O" Ring
550	Drain Cock

SECTION IX - CECO-DROP - LINE DRAWINGS & PARTS LISTS



Revised 7/24/72

SECTIONAL VIEW OF MAIN VALVE ARRANGEMENT