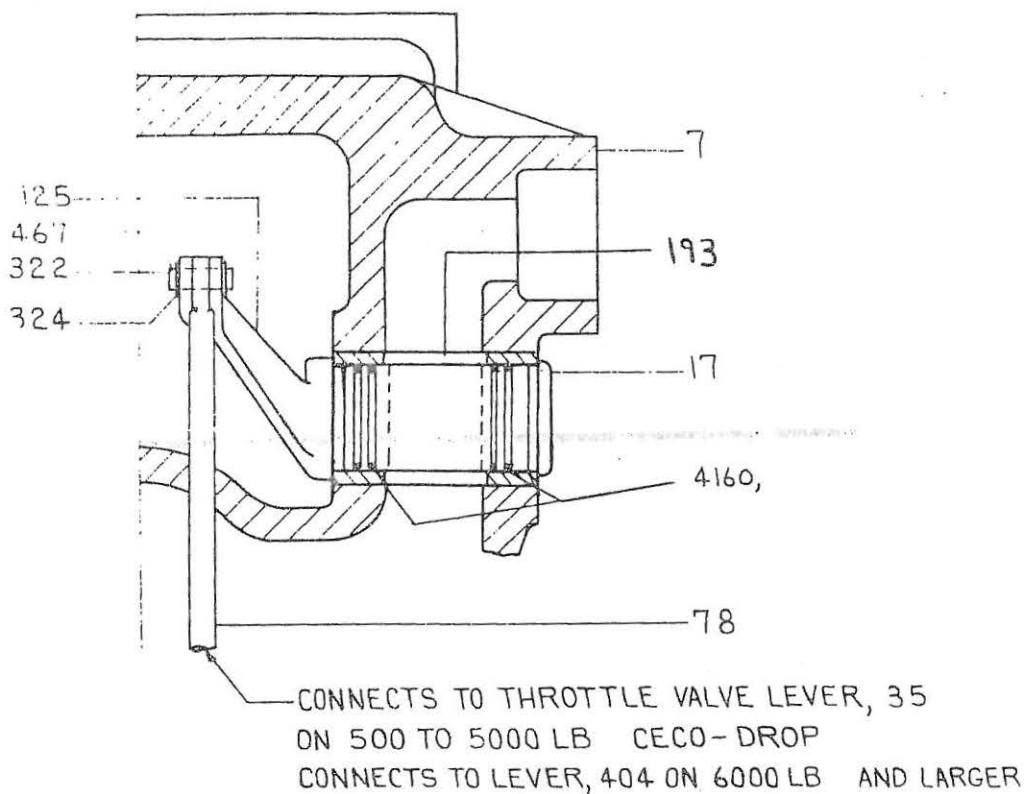


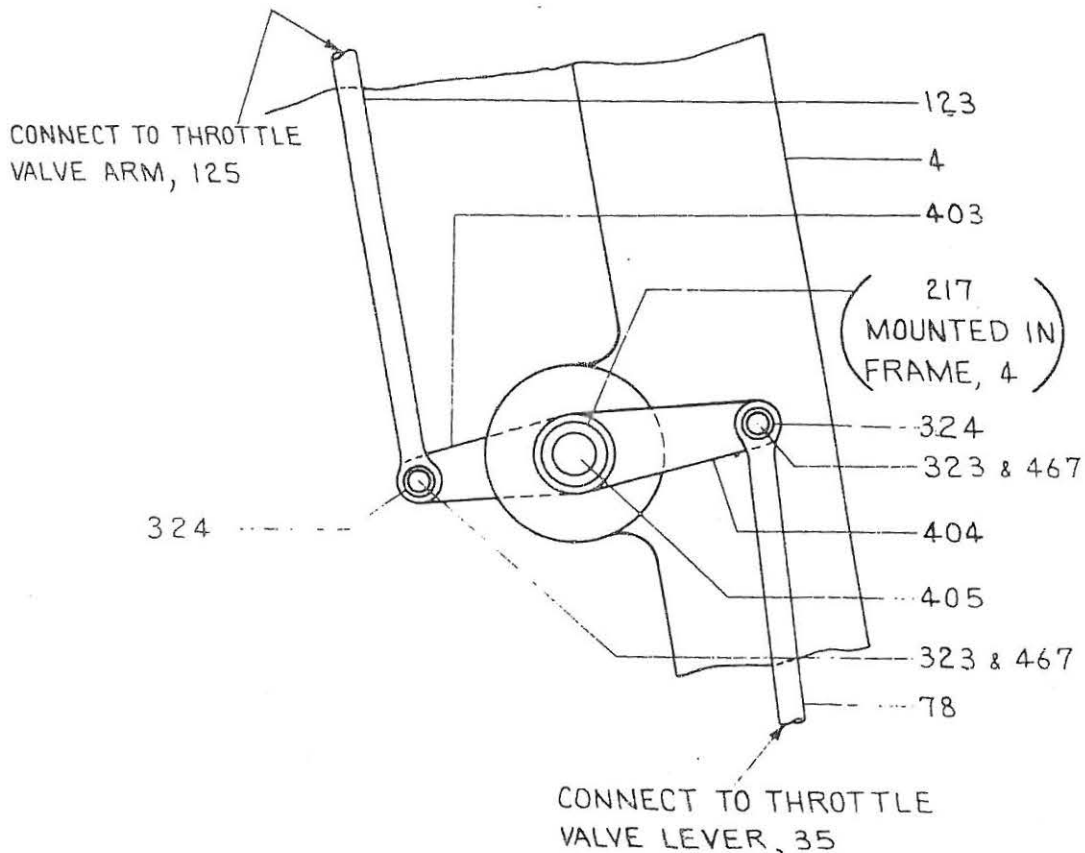
SECTION IXPARTS LISTS - THROTTLE VALVE

| <u>Pc. No.</u> | <u>Name</u> |
|----------------|-----------------------------------|
| 4 | Frame |
| 7 | Yoke |
| 17 | Throttle Valve |
| 78 | Throttle Valve Rod |
| 123 | Connection (6000 lb. & larger) |
| 125 | Throttle Valve Arm |
| 169 | Packing (Old Style Only) |
| 193 | Throttle Valve Seat |
| 217 | Bushing |
| 322 | Pin |
| 323 | Pin |
| 324 | Washer |
| 403 | Lever (6000 lb. & larger) |
| 404 | Lever (6000 lb. & larger) |
| 405 | Pin (6000 lb. & larger) |
| 416 | "O" Ring (Old Style) |
| 4160 | Piston Ring |
| 467 | "O" Ring |

SECTION IX - CECO-DROP - LINE DRAWINGS & PARTS LISTS



SECTIONAL VIEW OF YOKE SHOWING THROTTLE VALVE ARRANGEMENT



INTERMEDIATE THROTTLE VALVE CONNECTION FOR 6000 LB. AND LARGER CECO-DROP