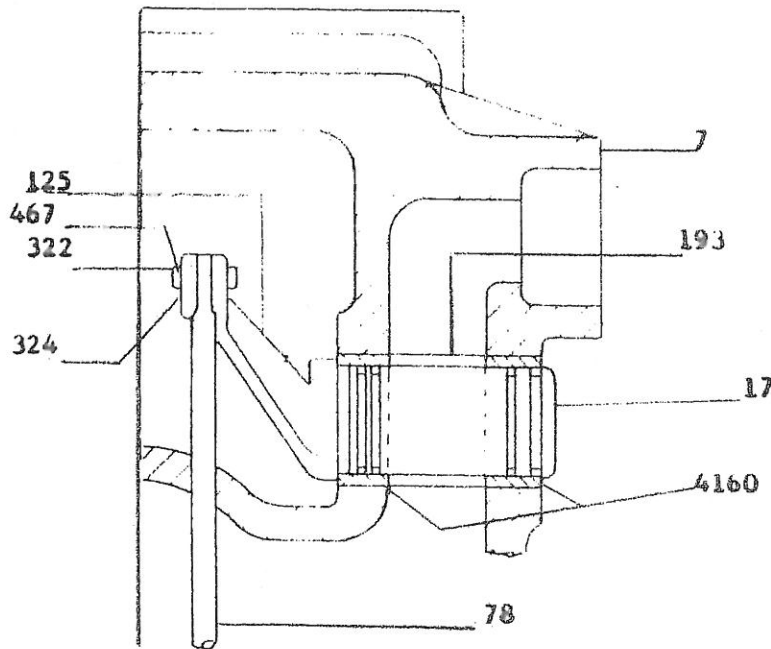
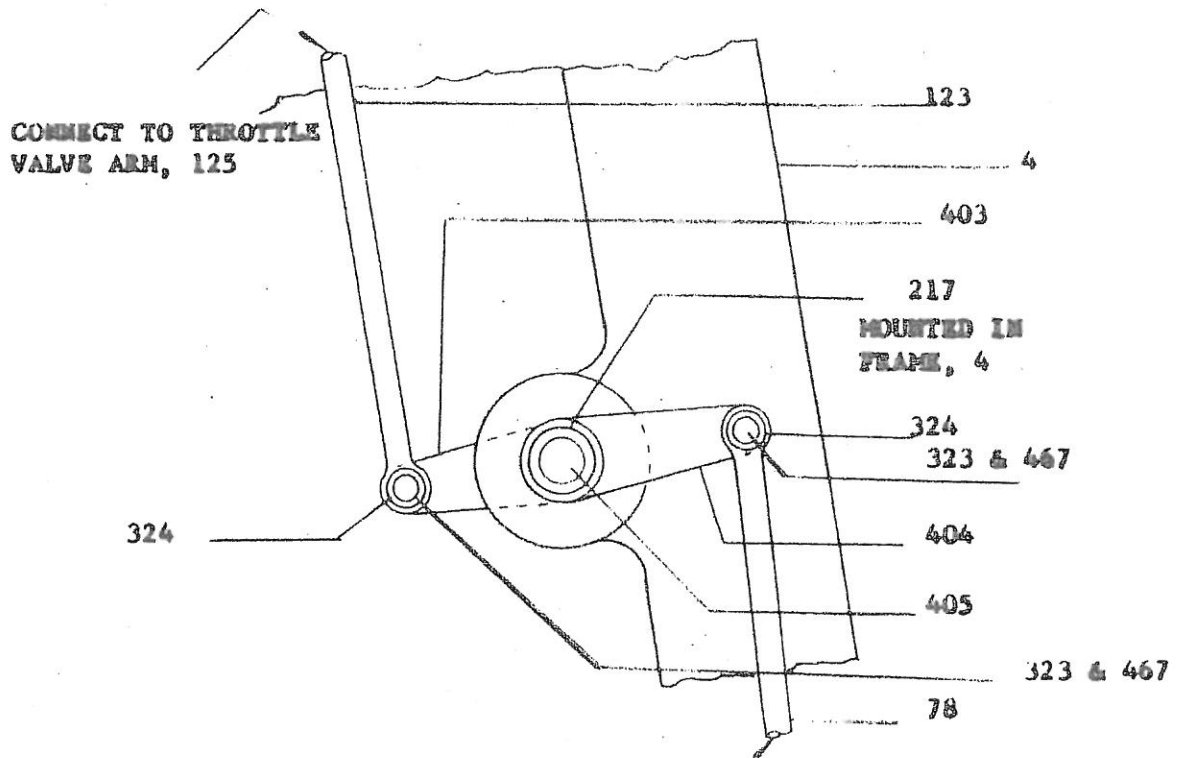


SECTION X - PARTS LISTS AND LINE DRAWINGS



CONNECTS TO THROTTLE VALVE LEVER, 35
ON 500 TO 5000 LB. CECO-DROP
CONNECTS TO LEVER, 404, ON 6000 LB. AND LARGER

SECTIONAL VIEW OF YOKE SHOWING
THROTTLE VALVE ARRANGEMENT



CONNECT TO THROTTLE
VALVE ARM, 123

CONNECT TO THROTTLE
VALVE LEVER, 35

INTERMEDIATE THROTTLE VALVE CONNECTION
FOR 6000 LB. AND LARGER CECO-DROP