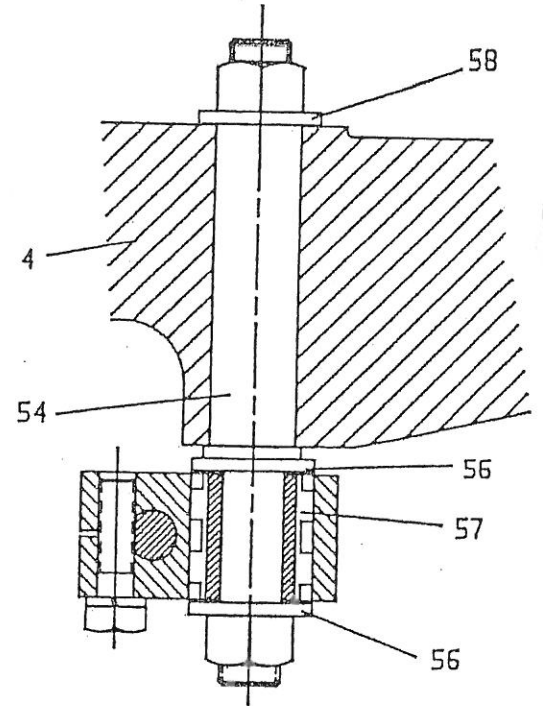
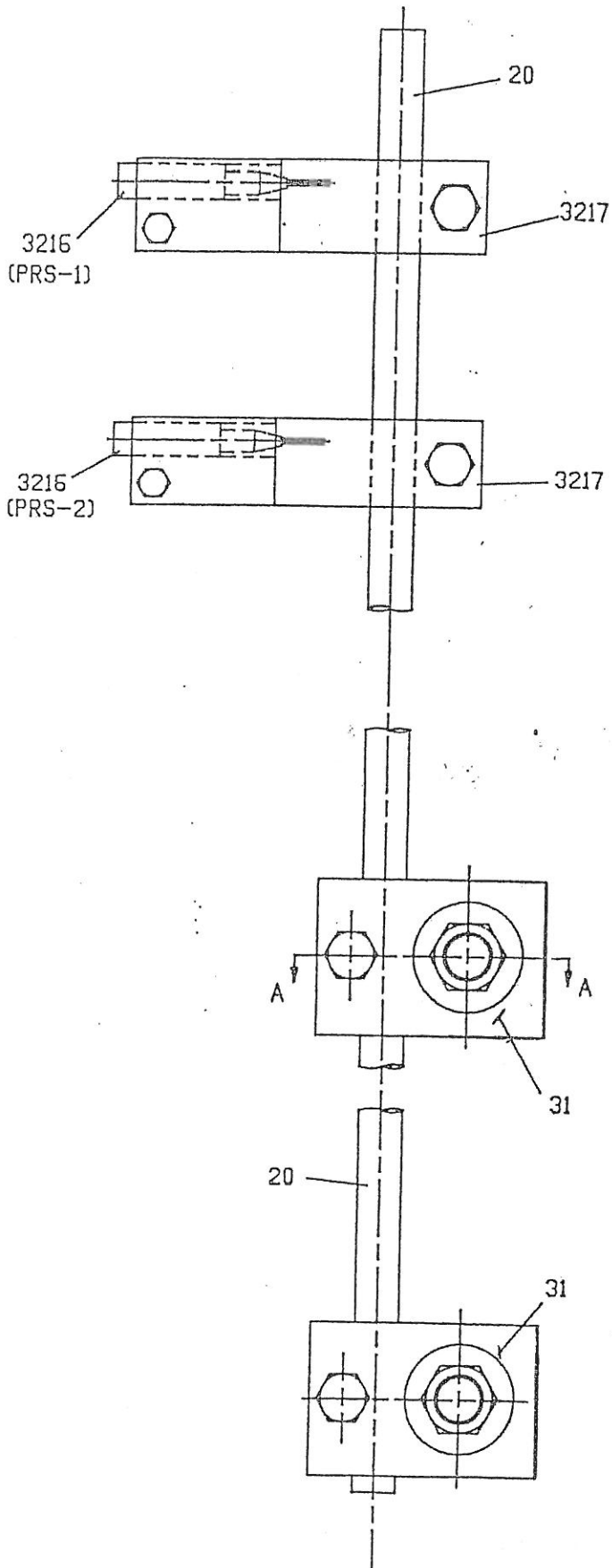


SECTION X - PARTS LIST AND LINE DRAWINGS



SECTION ON A-A

Blow Control Proximity Switch Arrangement