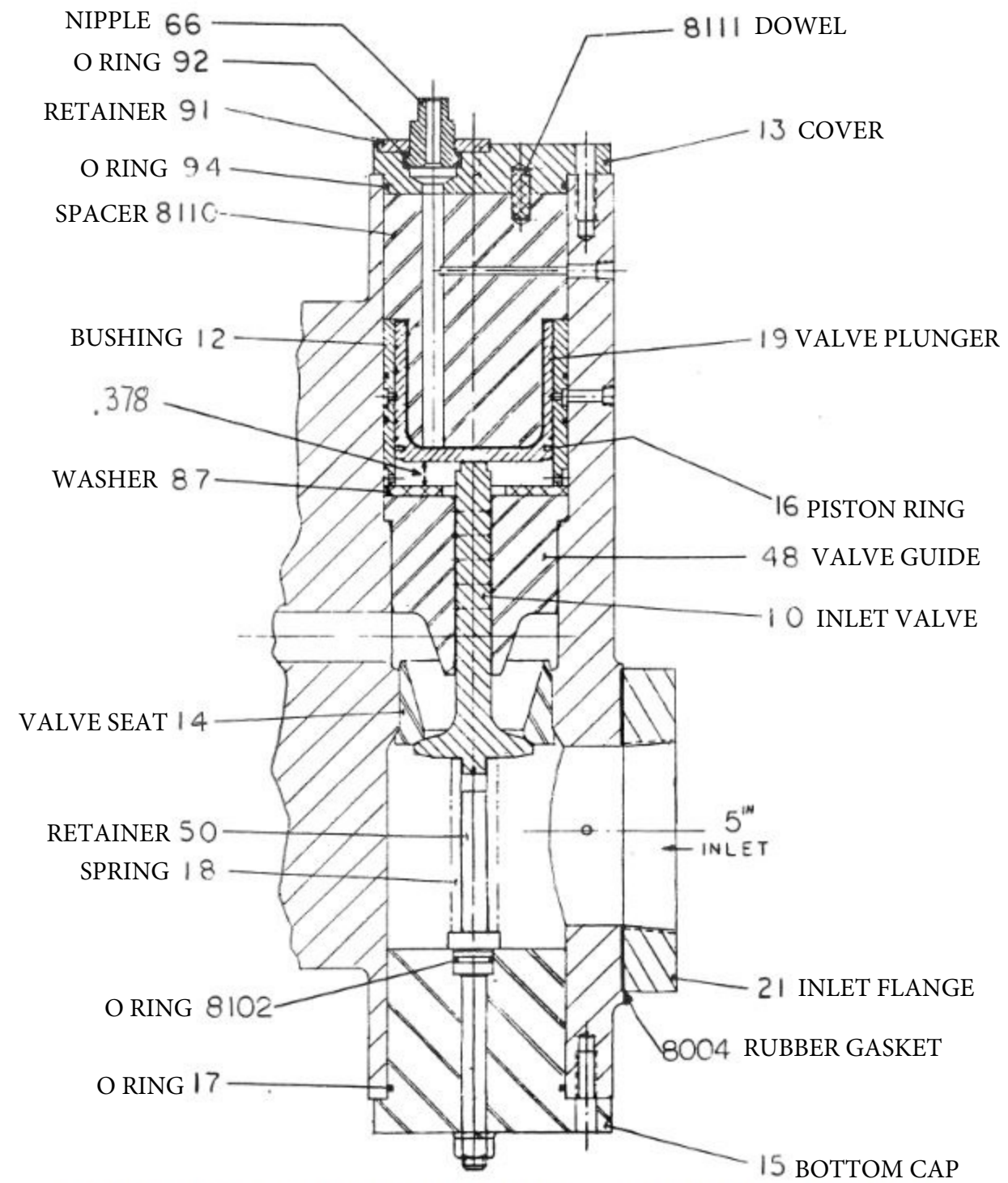


DOUBLE VALVE CONVERSION EXHAUST VALVE ARRANGEMENT DRAWING



DOUBLE VALVE CONVERSION INLET VALVE ARRANGEMENT DRAWING