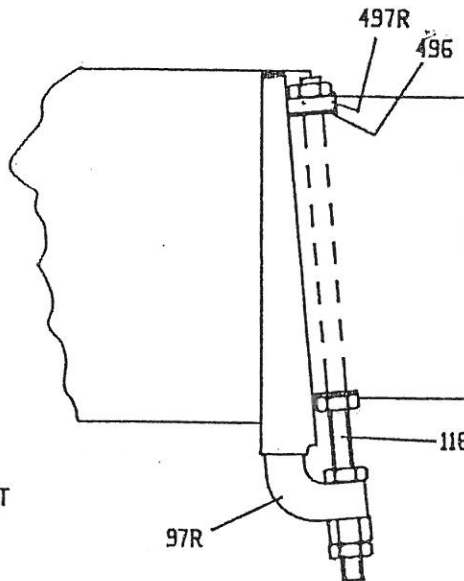
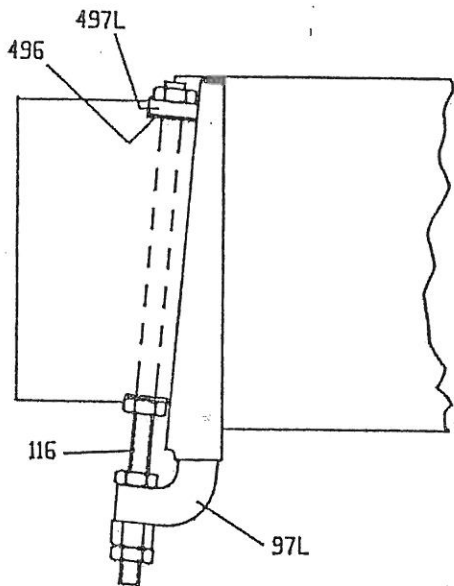
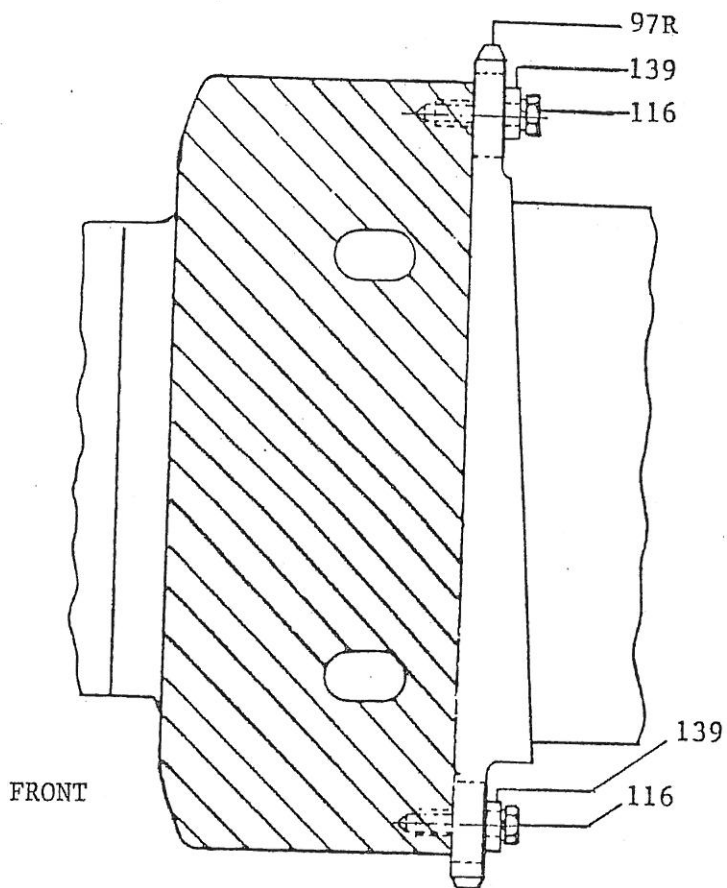


PARTS LIST AND LINE DRAWINGS

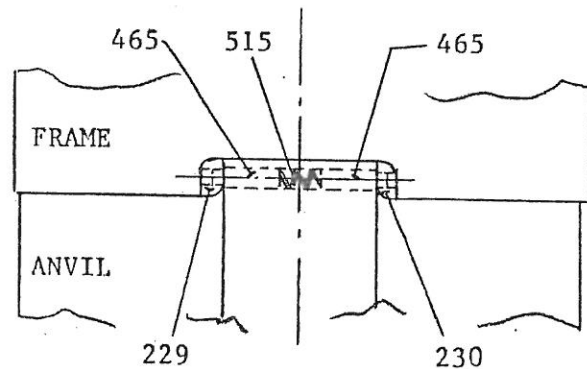


FRONT

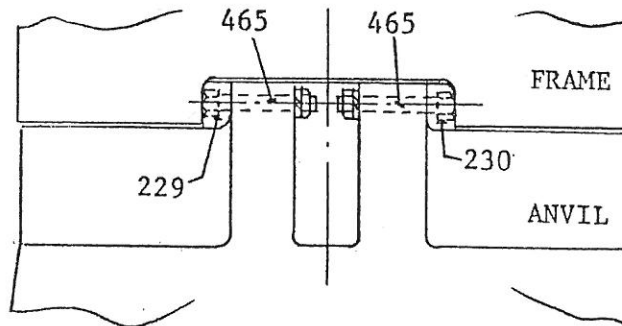
No. 23 and Smaller Sizes



No. 38 and larger sizes



View of Locking Arrangement  
No. 4 Size



View of Locking Arrangement  
No. 8 and larger sizes