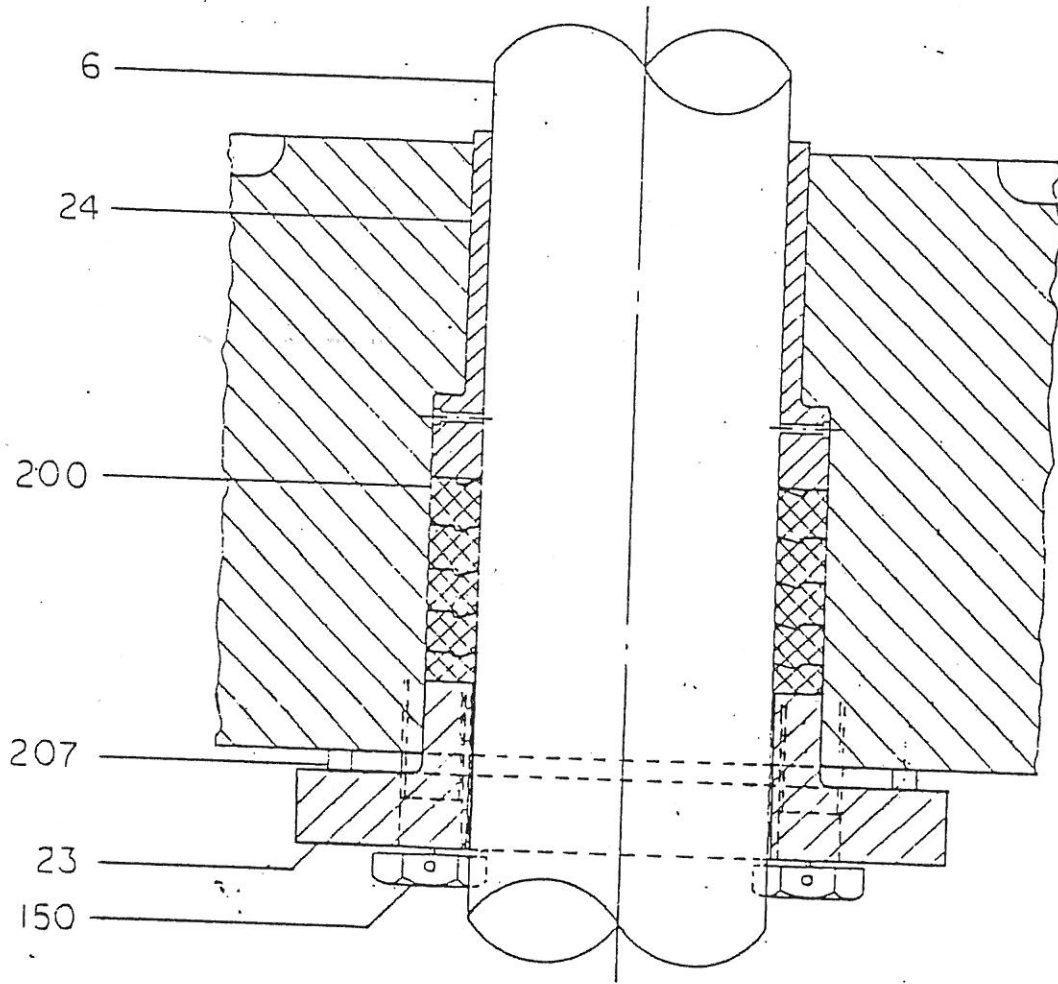


SECTION X - PARTS LIST AND LINE DRAWINGS



Piston Gland