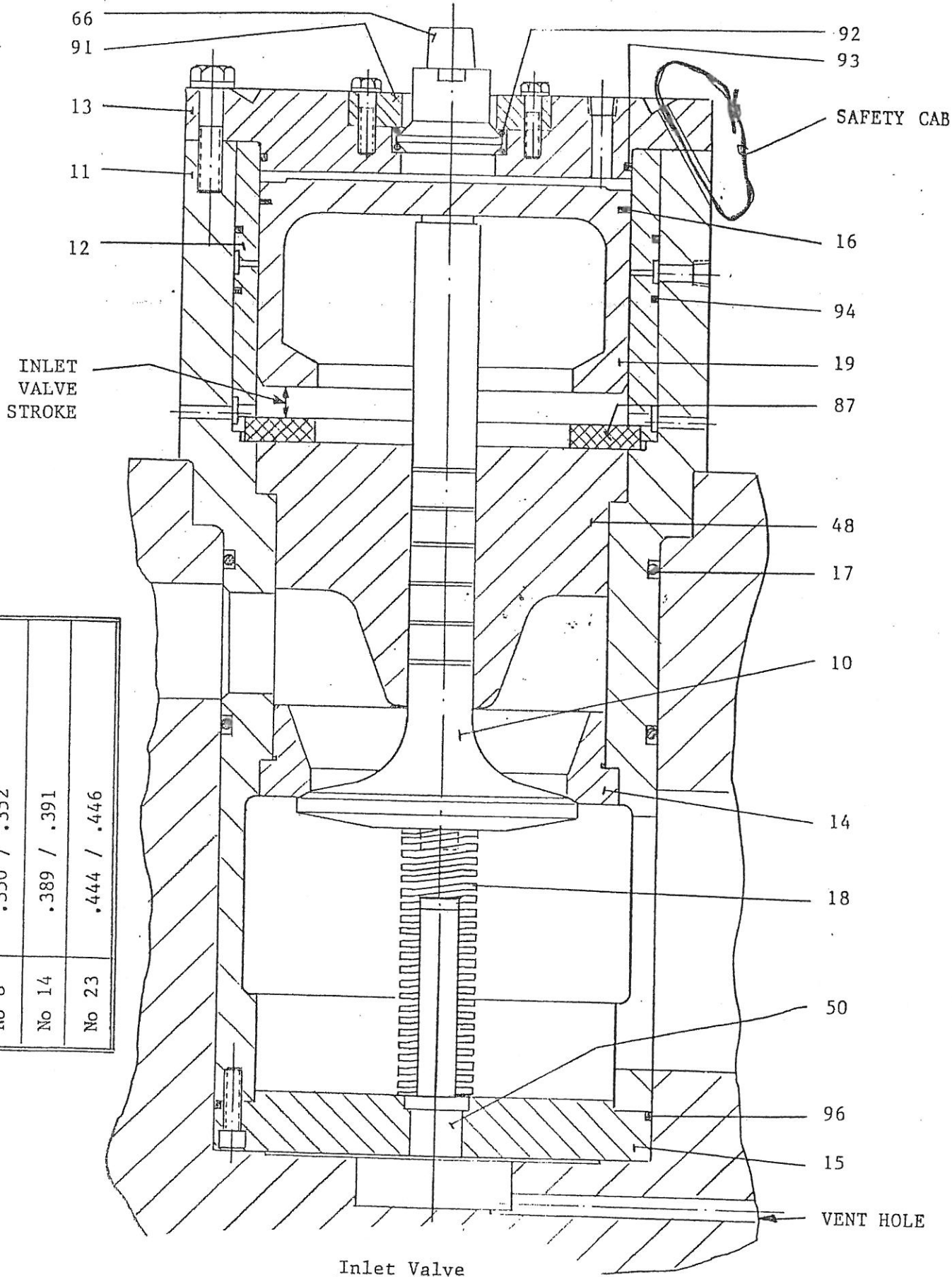


SECTION X - PARTS LIST AND LINE DRAWINGS



SIZE	INLET VALVE STROKE (INCHES)
No 4	.221 / .222
No 8	.350 / .352
No 14	.389 / .391
No 23	.444 / .446

Inlet Valve