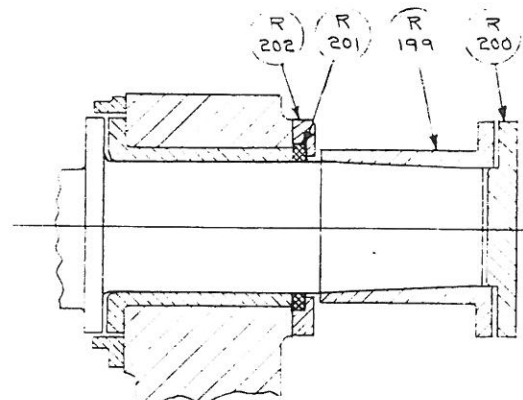
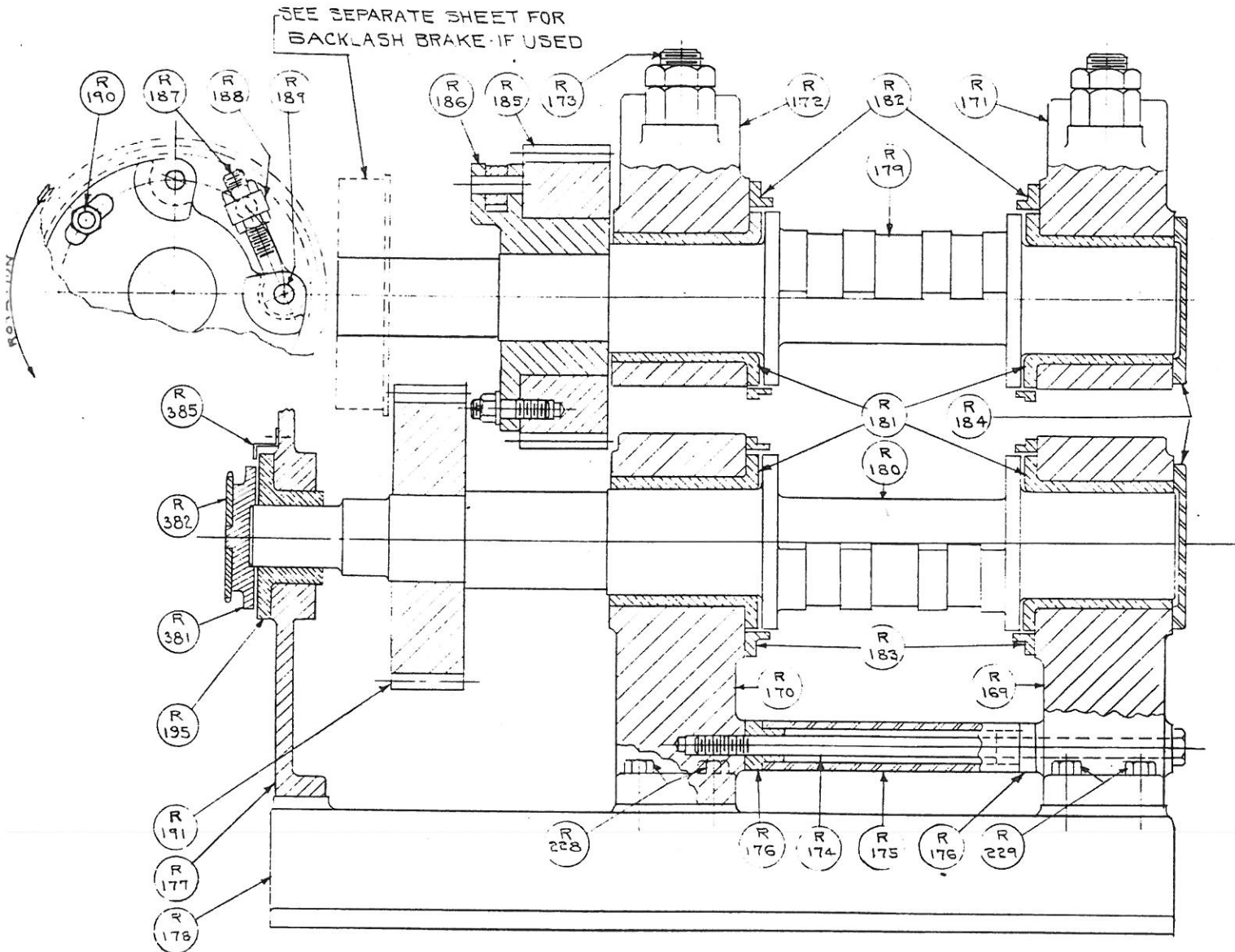


SEE SEPARATE SHEET FOR
BACKLASH BRAKE-IF USED



VIEW OF ROLL SHAFTS SHOWING
EXTENSION FOR OVERHUNG DIES

- | | |
|---|--|
| R 169 ROLL HOUSING-R.H. | R-191 BOTTOM ROLL SHAFT GEAR |
| R 170 ROLL HOUSING-L.H. | R-199 OVERHUNG DIE SLEEVE |
| R 171 TOP ROLL SHAFT BRG-R.H. | R-200 OVERHUNG DIE SLEEVE RETAINER PLATE |
| R 172 TOP ROLL SHAFT BRG-L.H. | R-201 ROLL SHAFT BEARING SHIELD |
| R 173 TOP ROLL SHAFT BRG STUDS | R-202 ROLL SHAFT BEARING SHIELD RETAINER |
| R 174 ROLL HOUSING TIE ROD | R-228 L.H. HSG. HOLD DOWN SCREWS (STD CAP SCREW) |
| R 175 ROLL HOUSING SPACER | R-229 R.H. HSG. HOLD DOWN SCREWS (SPECIAL CAP SCREW) |
| R 176 ROLL HOUSING SPACER SLEEVE | R-381 TIMING SPROCKET ADAPTER SLEEVE |
| R 177 GEAR HOUSING | R-382 TIMING SPROCKET |
| R 178 BASE PLATE | R-385 POINTER |
| R 179 TOP ROLL SHAFT | R-195 GEAR HOUSING BUSHING |
| R 180 BOTTOM ROLL SHAFT | |
| R 181 ROLL HOUSING FLANGED BUSHING | |
| R 182 TOP ROLL SHAFT BRG. SHIELD RING | |
| R 183 BOTTOM ROLL SHAFT BRG. SHIELD RING | |
| R 184 ROLL SHAFT END COVER | |
| R 185 TOP ROLL SHAFT GEAR | |
| R 186 TOP ROLL ADJUSTING SLEEVE | |
| R 187 TOP ROLL ADJUSTING SLEEVE EYE BOLT | |
| R 188 TOP ROLL ADJUSTING SLEEVE POPPET | |
| R 189 TOP ROLL ADJUSTING SLEEVE EYE BOLT PIN | |
| R 190 TOP ROLL ADJUSTING SLEEVE STUD & WASHER | |

WHEN ORDERING REPLACEMENTS, STATE SERIAL NUMBER
AND SIZE STAMPED ON NAME PLATE OF MACHINE AND
DESIGNATE PART BY BOTH NAME AND NUMBER