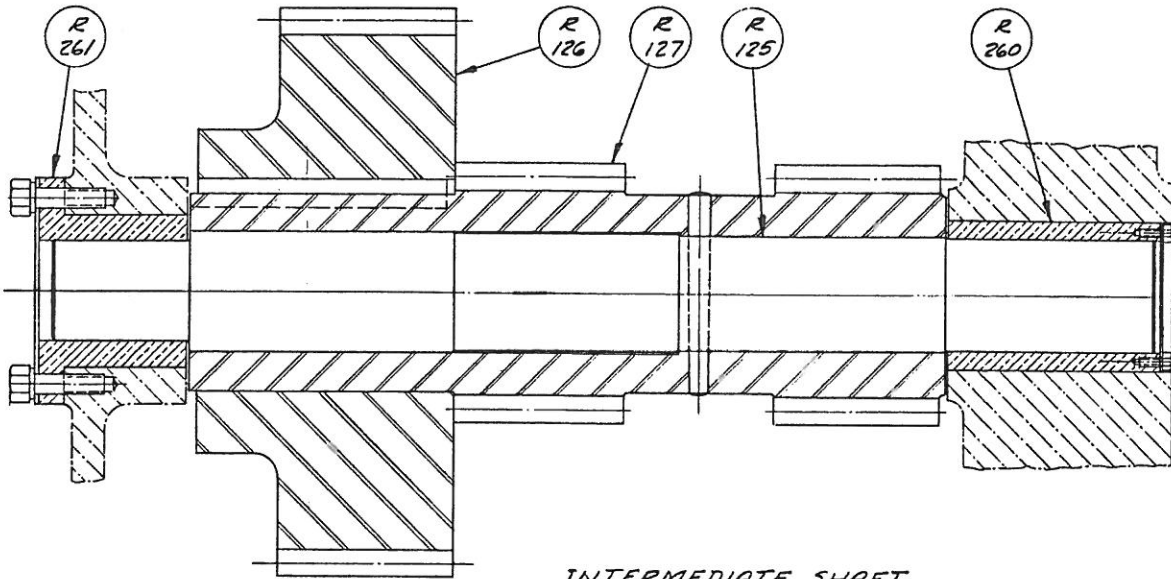


IDLER SHAFT



INTERMEDIATE SHAFT

WHEN ORDERING REPLACEMENTS,
STATE SERIAL NUMBER AND SIZE
STAMPED ON NAME PLATE OF MACHINE
AND DESIGNATE PART BY BOTH NAME
AND NUMBER

- R116 IDLER SHAFT
- R117 IDLER GEAR
- R120 IDLER SHAFT THRUST COLLAR
- R123 IDLER GEAR BUSHING
- R124 IDLER SHAFT END CAP

- R125 INTERMEDIATE SHAFT
- R126 INTERMEDIATE GEAR
- R127 INTERMEDIATE PINION
- R260 INTERMEDIATE SHAFT BUSHING
- R261 INTERMEDIATE SHAFT BUSHING