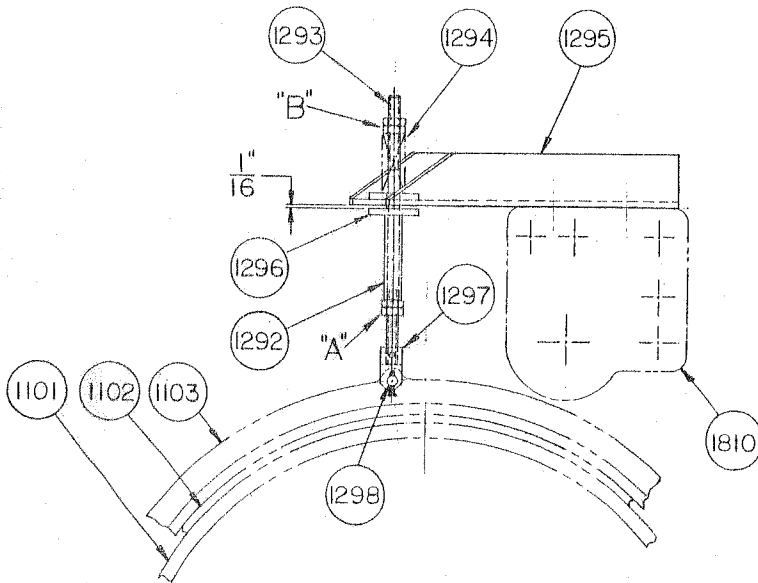


AFTER BRAKE SUPPORT IS ASSEMBLED, ADJUST "A" FOR $\frac{1}{16}$ " GAP BETWEEN WASHER (1296) AND BRACKET (1295) WITH BRAKE SET. ADJUST "B" TO TIGHTEN SPRING (1294) JUST SUFFICIENT TO BRING WASHER (1296) AGAINST BRACKET (1295) WHEN BRAKE IS RELEASED.



WHEN ORDERING REPLACEMENTS STATE SERIAL NUMBER AND SIZE STAMPED ON NAME PLATE OF MACHINE AND DESIGNATE PART BY BOTH NAME AND NUMBER

- 1292 SPACER
- 1293 SPRING ROD
- 1294 SPRING
- 1295 SPRING SUPPORT BRACKET
- 1296 WASHER
- 1297 YOKE
- 1298 CONNECTING PIN

REF. PARTS

- 1101 BRAKE DRUM
- 1102 BRAKE LINING AND RIVETS
- 1103 BRAKE SHOES
- 1810 BOTTOM K.O. CAM ROLLER LEVER SUPPORT