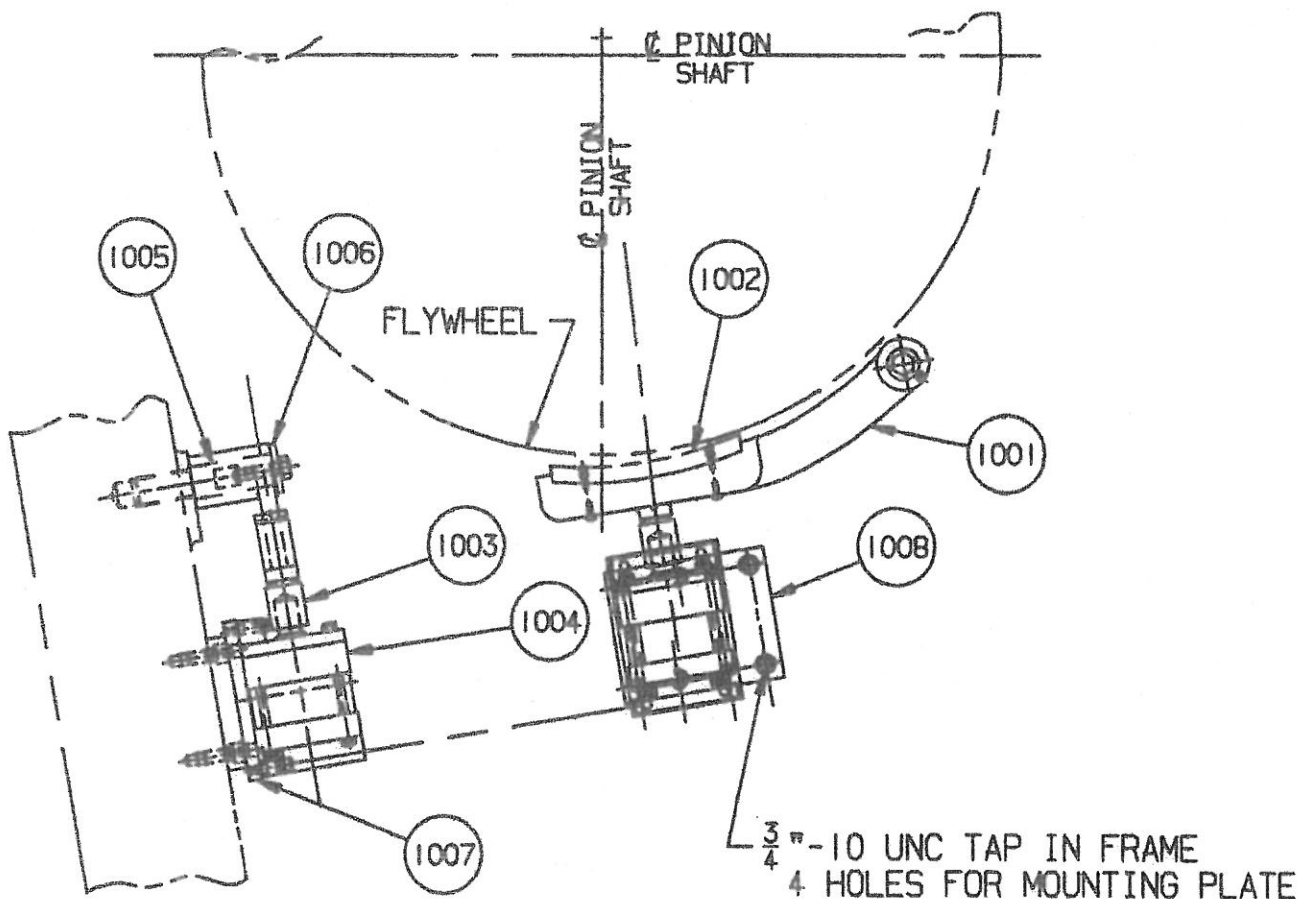


WHEN ORDERING REPLACEMENTS STATE SERIAL NUMBER AND SIZE STAMPED ON NAMEPLATE OF MACHINE AND DESIGNATE PARTS BY BOTH NAME AND NUMBER



- 1001 FLYWHEEL BRAKE LEVER
- 1002 FLYWHEEL BRAKE LINING
- 1003 FLYWHEEL BRAKE CYLINDER ROD END
- 1004 FLYWHEEL BRAKE AIR CYLINDER
- 1005 FLYWHEEL BRAKE LEVER FULCRUM PIN
- 1006 FLYWHEEL BRAKE LEVER RETAINER WASHER
- 1007 AIR CYLINDER ADAPTOR PLATE
- 1008 AIR CYLINDER MOUNTING PLATE