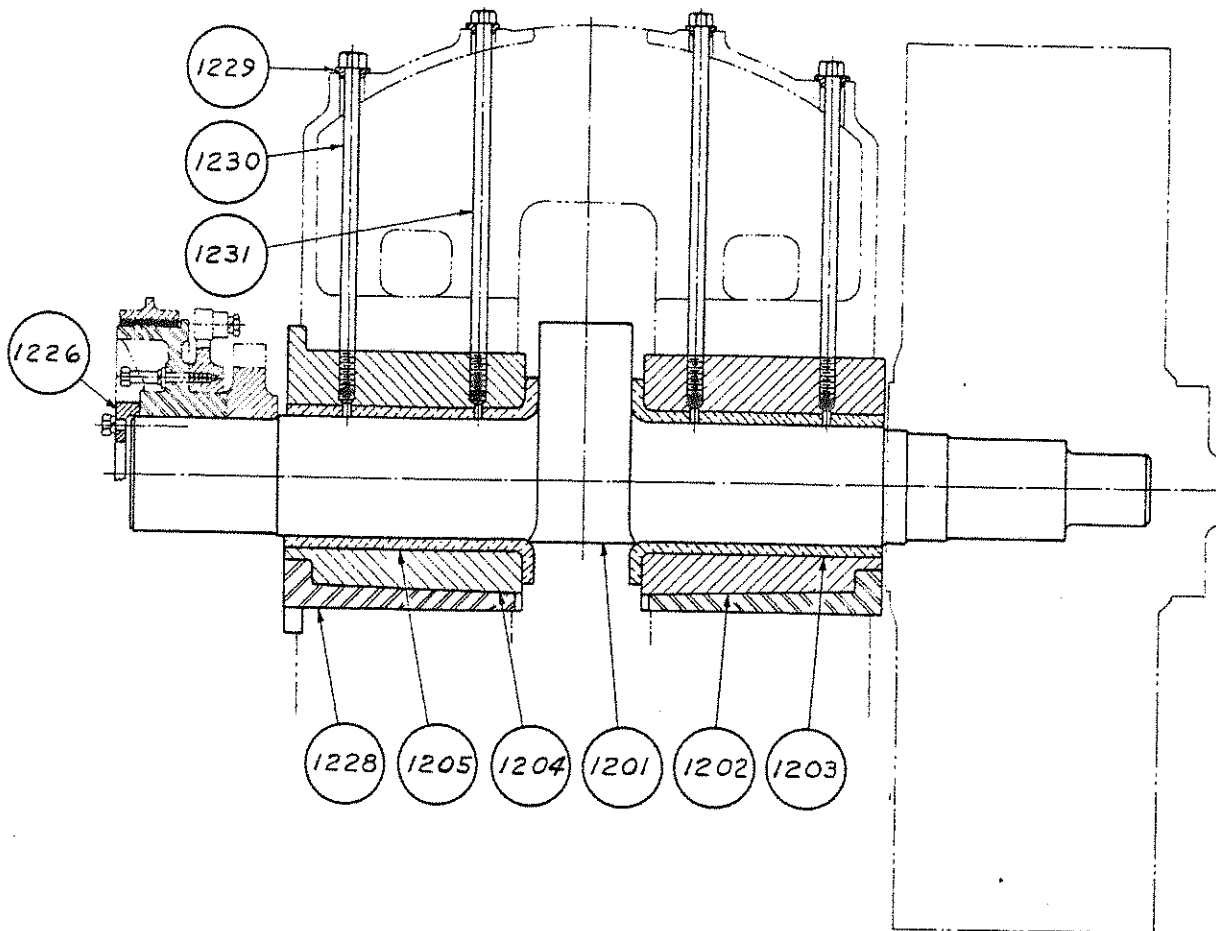


## SHEET PE-2



WHEN ORDERING REPLACEMENTS, STATE SERIAL NUMBER AND SIZE STAMPED ON NAME PLATE OF MACHINE, AND DESIGNATE PART BY BOTH NAME AND NUMBER.

- 1201 ECCENTRIC SHAFT.
- 1202 ECCENTRIC SHAFT R.H. SLEEVE.
- 1203 ECCENTRIC SHAFT R.H. SLEEVE BUSHING.
- 1204 ECCENTRIC SHAFT L.H. SLEEVE.
- 1205 ECCENTRIC SHAFT L.H. SLEEVE BUSHING.
- 1226 BRAKE DRUM RETAINING PLATE.
- 1228 ECCENTRIC SHAFT SLEEVE BOTTOM WEDGES.
- 1229 ECCENTRIC SHAFT SLEEVE BOLT WASHERS.
- 1230 ECCENTRIC SHAFT SLEEVE BOLTS. (SHORT)
- 1231 ECCENTRIC SHAFT SLEEVE BOLTS. (LONG)