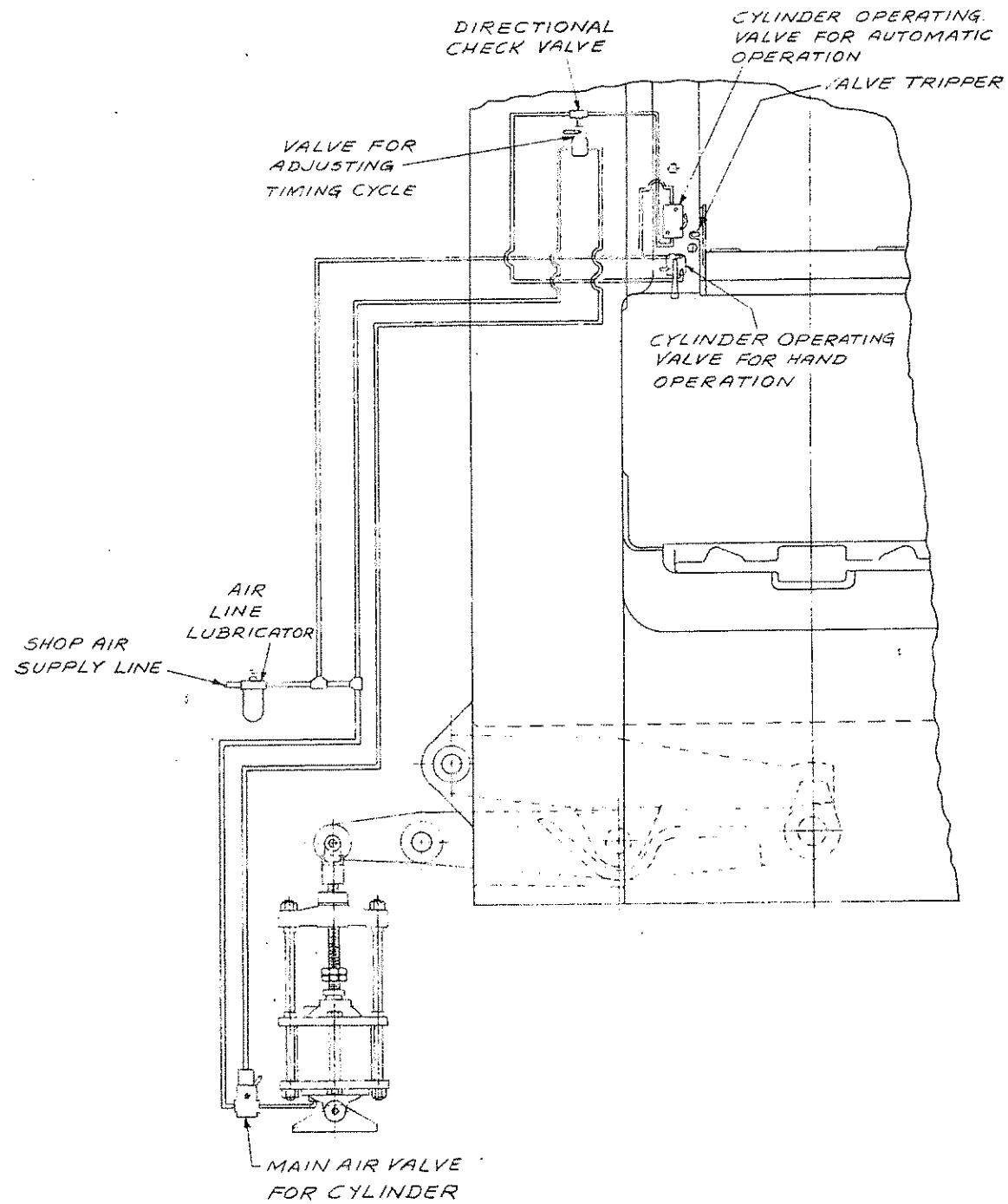
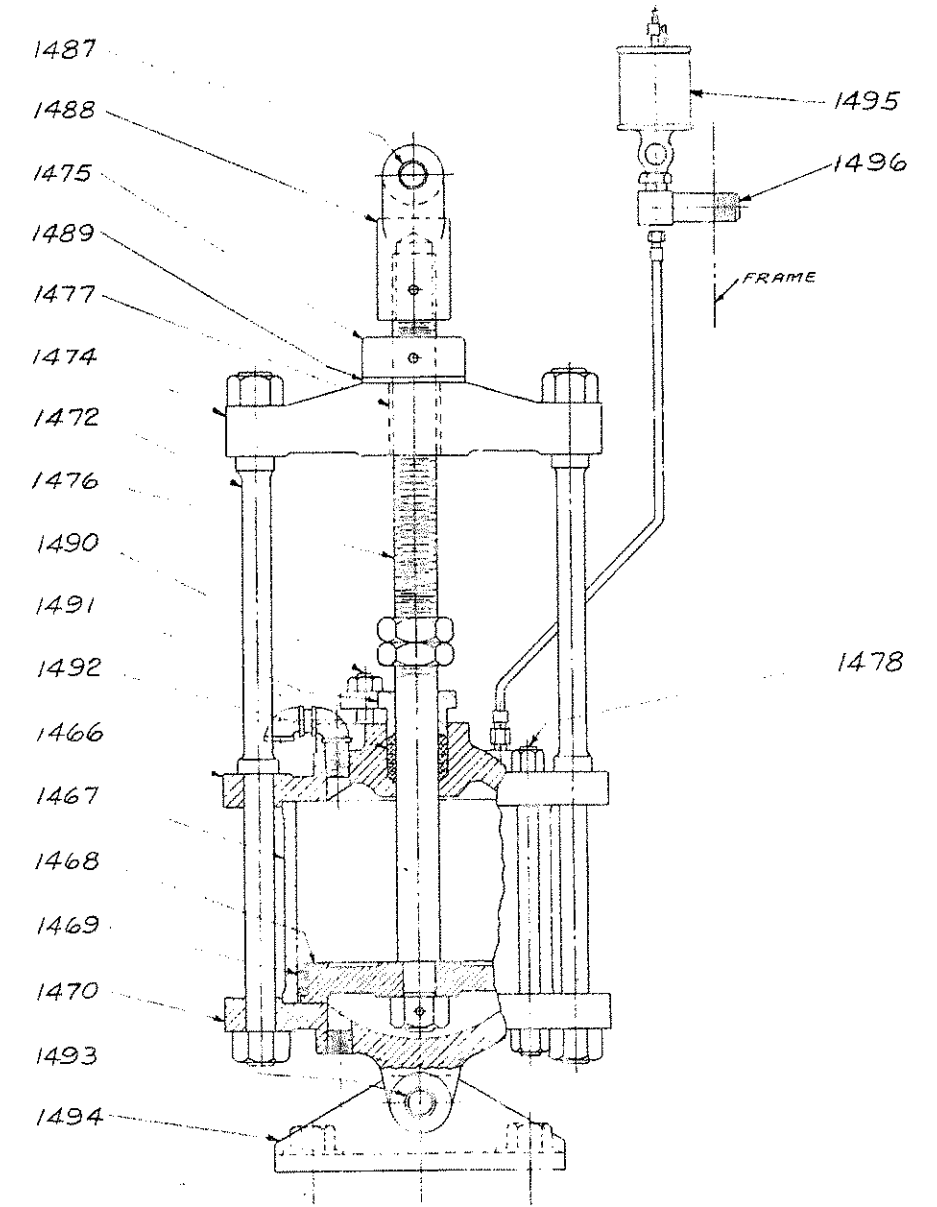


A J A X



PIPING DIAGRAM

A J A X



WHEN ORDERING REPLACEMENTS, STATE SERIAL NUMBER AND SIZE STAMPED ON NAME PLATE OF MACHINE AND DESIGNATE PART BY BOTH NAME AND NUMBER

- 1466 TOP CYLINDER HEAD
- 1467 CYLINDER
- 1468 PISTON
- 1469 PISTON RINGS
- 1470 BOTTOM CYLINDER HEAD
- 1472 CROSS BAR TIE RODS
- 1474 CROSS BAR
- 1475 BUMPER NUT
- 1476 PISTON ROD
- 1477 PISTON ROD BUSHING
- 1478 CYLINDER STUDS

- 1487 CLEVIS PIN
- 1488 PISTON ROD CLEVIS
- 1489 BUMPER WASHER
- 1490 STUFFING BOX STUDS
- 1491 STUFFING BOX FLANGE
- 1492 PISTON ROD PACKING RINGS
- 1493 CLEVIS PIN (BOTT. CYL. HEAD)
- 1494 CYLINDER BRACKETS
- 1495 SIGHT FEED OIL CUP
- 1496 LUBRICATOR BRACKET