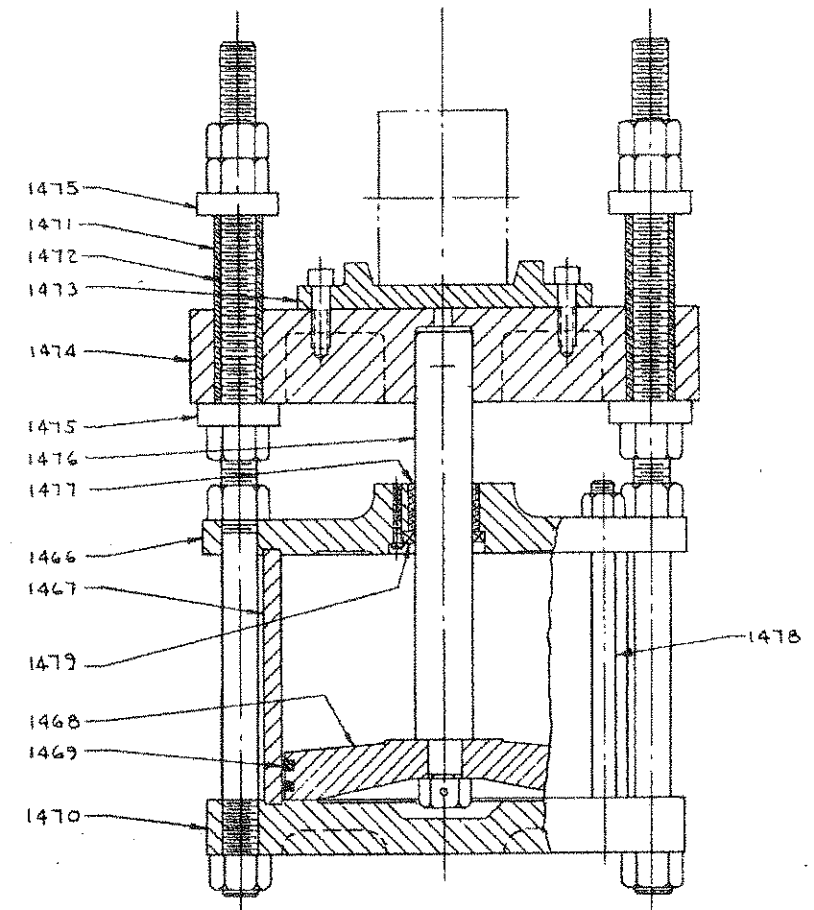


PIPING DIAGRAM



WHEN ORDERING REPLACEMENTS, STATE SERIAL NUMBER AND SIZE STAMPED ON NAMEPLATE OF MACHINE AND DESIGNATE PART BY BOTH NAME AND NUMBER.

- 1466 TOP CYLINDER HEAD.
- 1467 AIR CYLINDER
- 1468 PISTON.
- 1469 PISTON RINGS.
- 1470 BOTTOM CYLINDER HEAD.
- 1471 GUIDE BUSHING.
- 1472 GUIDE STUDS.
- 1473 WEAR PLATE.
- 1474 TIE BAR.
- 1475 STOP COLLAR.
- 1476 PISTON ROD.
- 1477 PISTON ROD BUSHING.
- 1478 STUDS.
- 1479 OIL SEAL