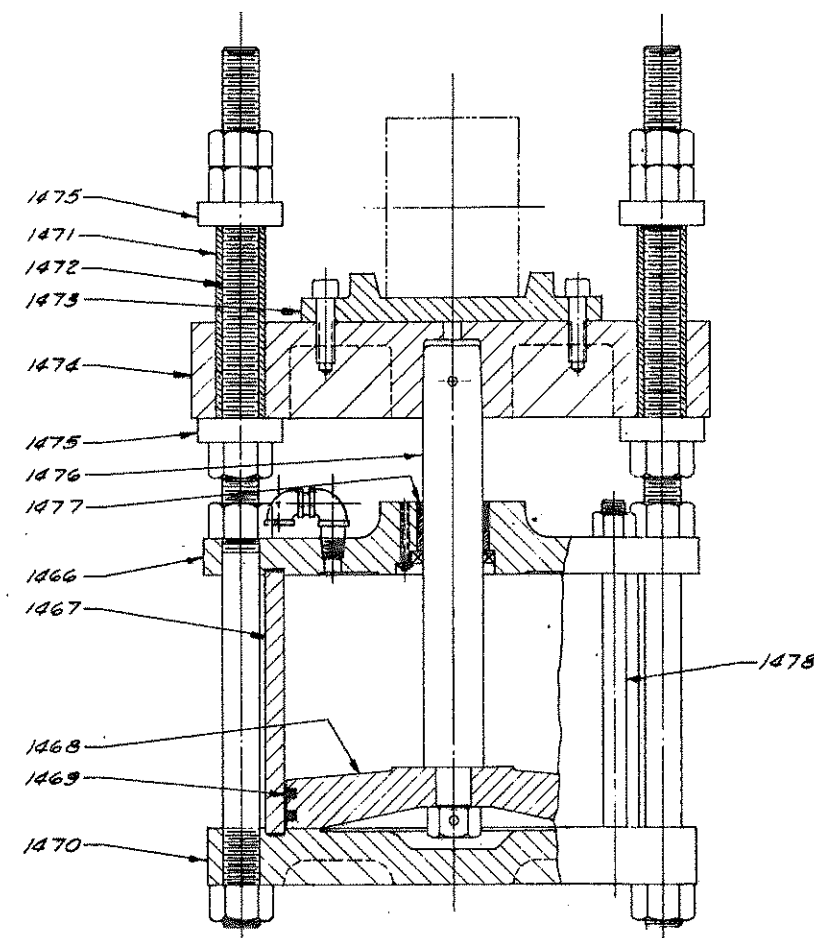


PIPING DIAGRAM



WHEN ORDERING REPLACEMENTS, STATE SERIAL NUMBER AND SIZE STAMPED ON NAMEPLATE OF MACHINE AND DESIGNATE PART BY BOTH NAME AND NUMBER

- 1466 TOP CYLINDER HEAD
- 1467 AIR CYLINDER
- 1468 PISTON
- 1469 PISTON RINGS
- 1470 BOTTOM CYLINDER HEAD
- 1471 GUIDE BUSHING
- 1472 GUIDE STUDS
- 1473 WEAR PLATE
- 1474 TIE BAR
- 1475 STOP COLLAR
- 1476 PISTON ROD
- 1477 PISTON ROD BUSHING
- 1478 STUDS