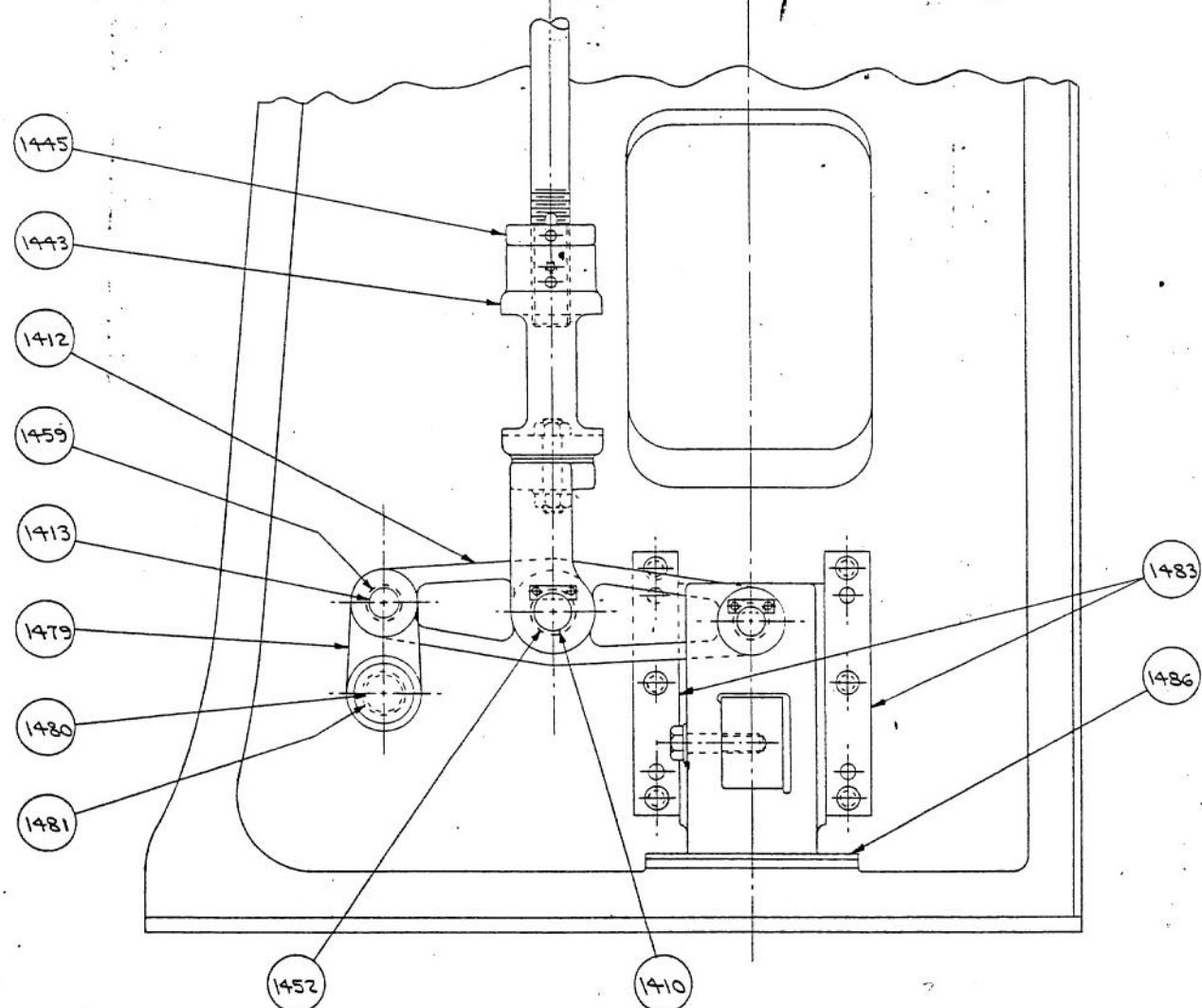


WHEN ORDERING REPLACEMENTS, STATE SERIAL NUMBER AND SIZE STAMPED ON NAME PLATE OF MACHINE. DESIGNATE PART BY BOTH NAME AND NUMBER.



— TO ADJUST STROKE OF BOTTOM KNOCKOUT —

LOOSEN BREAKER BOLTS 1446 & LOCKNUTS 1445. TO ADJUST LENGTH OF LIFT RODS 1408, TURN ADJUSTING NUTS 1443. LENGTHENING LIFT RODS WILL DECREASE STROKE, & SHORTENING LIFT RODS WILL INCREASE STROKE. MAXIMUM STROKE IS OBTAINED WHEN CAM ROLLER 1402 TOUCHES CAM 1401 AT LOW POINT ON CAM. TIGHTEN BREAKER BOLTS & LOCKNUTS AFTER ADJUSTMENT HAS BEEN MADE.

- | | | | |
|--------|---------------------------------------------|--------|------------------------------------------|
| 1401 | BOTT. K.O. CAM | 1445 | BOTT. K.O. LIFT ROD LOCK NUT |
| 1402 | BOTT. K.O. CAM ROLLER | 1446 | BOTT. K.O. BREAKER BOLT |
| 1403 | BOTT. K.O. CAM ROLLER PIN | 1447 | BOTT. K.O. CAM ROLLER BUSHING |
| 1404-L | BOTT. K.O. CAM ROLLER LEVER - FLYWHEEL SIDE | 1448 | BOTT. K.O. CAM ROLLER LEVER BUSHING |
| 1404-R | BOTT. K.O. CAM ROLLER LEVER - GEAR SIDE | 1451 | BOTT. K.O. LIFT ROD EYE BUSHING |
| 1405 | BOTT. K.O. CAM ROLLER LEVER FULC. PIN | 1452 | BOTT. K.O. LIFT ROD CLEVIS PIN BUSHING |
| 1406 | BOTT. K.O. LIFT ROD EYE PIN | 1459 | BOTT. K.O. OPER. LEVER FULC. PIN BUSHING |
| 1407 | BOTT. K.O. LIFT ROD EYE | 1479 | BOTT. K.O. PIVOT LEVER |
| 1408 | BOTT. K.O. LIFT ROD | 1480 | BOTT. K.O. PIVOT LEVER FULC. PIN |
| 1409-L | BOTT. K.O. LIFT ROD CLEVIS - FLYWHEEL SIDE | 1481 | BOTT. K.O. PIVOT LEVER FULC. PIN BUSHING |
| 1409-R | BOTT. K.O. LIFT ROD CLEVIS - GEAR SIDE | 1482-L | BOTT. K.O. LEVER GUIDE - FLYWHEEL SIDE |
| 1410 | BOTT. K.O. LIFT ROD CLEVIS PIN | 1482-R | BOTT. K.O. LEVER GUIDE - GEAR SIDE |
| 1412 | BOTT. K.O. OPER. LEVER | 1483 | BOTT. K.O. LEVER GUIDE LINER |
| 1413 | BOTT. K.O. OPER. LEVER FULC. PIN | 1484 | BOTT. K.O. LEVER GUIDE PIN |
| 1417 | BOTT. K.O. LEVER | 1485 | BOTT. K.O. LEVER GUIDE PIN BUSHING |
| 1419 | BOTT. K.O. KICKER PIN | 1486 | BOTT. K.O. BUMPER PLATE |
| 1443 | BOTT. K.O. LIFT ROD ADJUSTING NUT | | |

