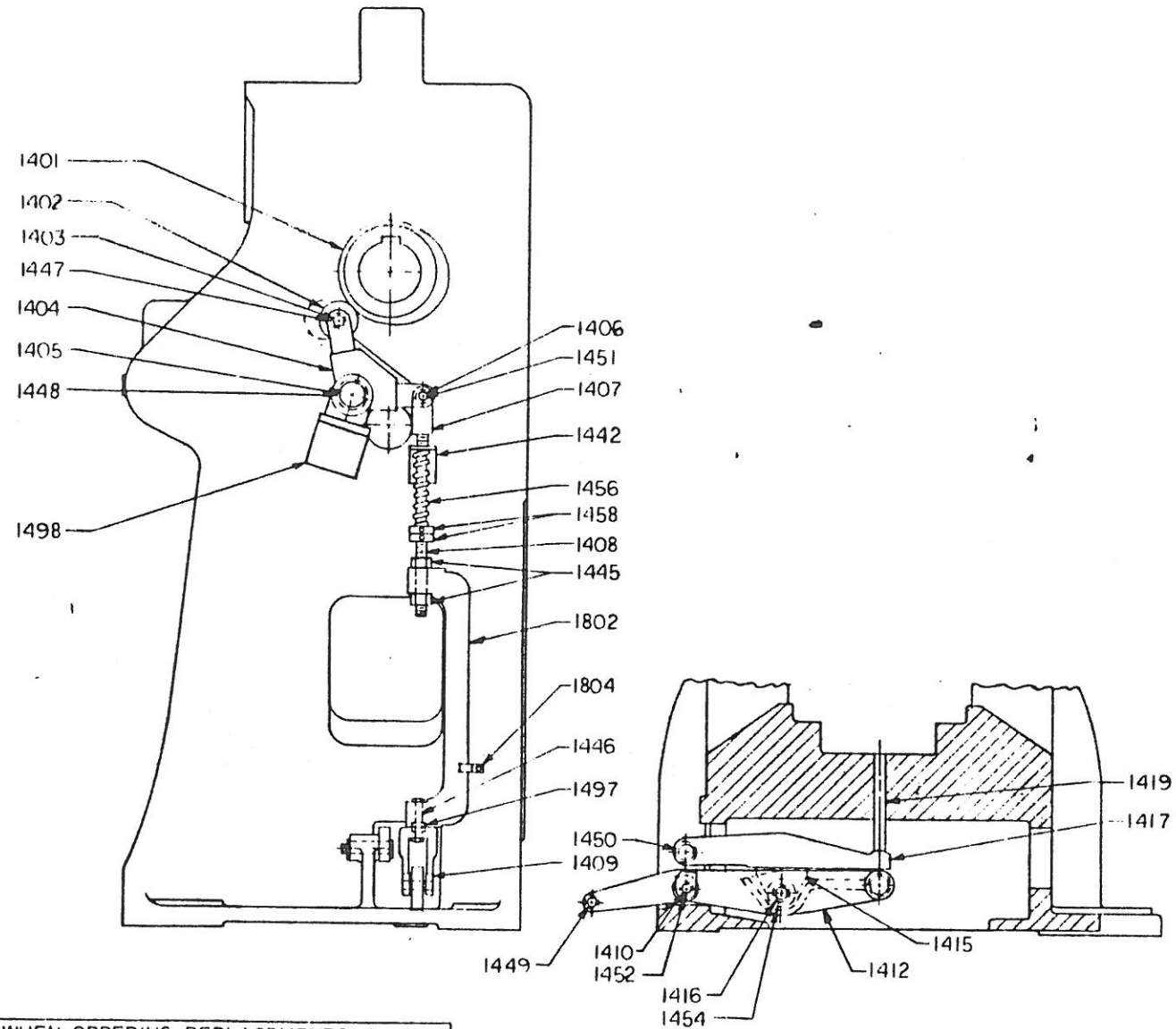
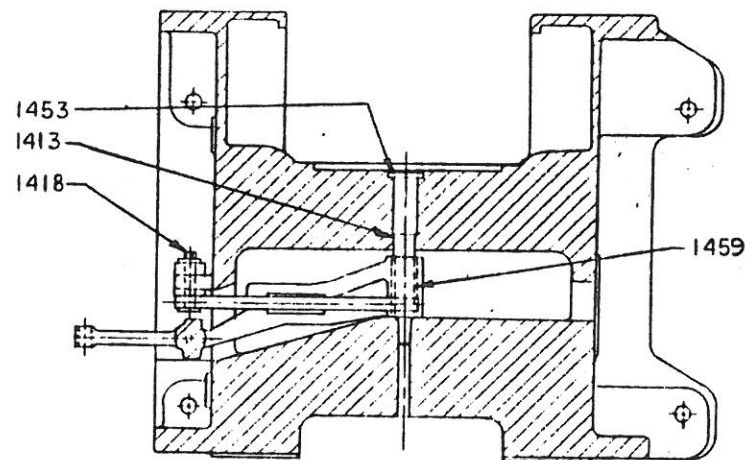


Ajax



WHEN ORDERING REPLACEMENTS, STATE SERIAL NUMBER AND SIZE STAMPED ON NAME PLATE OF MACHINE, AND DESIGNATE PART BY BOTH NAME AND NUMBER



Ajax

PARTS LIST

- | | |
|---|---|
| 1401 BOTT. K.O. CAM | 1445 BOTT. K.O. ADJUSTING SCREW LOCKNUT |
| 1402 BOTT. K.O. CAM ROLLER | 1446 BOTT. K.O. BREAKER BOLT |
| 1403 BOTT. K.O. CAM ROLLER PIN | 1447 BOTT. K.O. CAM ROLLER BUSH. |
| 1404 BOTT. K.O. CAM ROLLER LEVER | 1448 BOTT. K.O. CAM ROLLER LEVER BUSH. |
| 1405 BOTT. K.O. CAM ROLLER LEVER FULC. PIN | 1449 BOTT. K.O. AIR CYL. CONN. PIN BUSH. |
| 1406 BOTT. K.O. LIFT ROD EYE PIN | 1450 BOTT. K.O. LEVER FULC. PIN BUSH. |
| 1407 BOTT. K.O. LIFT ROD EYE | 1451 BOTT. K.O. LIFT ROD EYE BUSH. |
| 1408 BOTT. K.O. LIFT ROD | 1452 BOTT. K.O. LIFT ROD CLEVIS PIN BUSH. |
| 1409 BOTT. K.O. LIFT ROD CLEVIS | 1453 BOTT. K.O. OPER. LEVER FULC. PIN STRAP |
| 1410 BOTT. K.O. LIFT ROD CLEVIS PIN | 1454 BOTT. K.O. SLIDE BLOCK BUSH. |
| 1412 BOTT. K.O. OPER. LEVER | 1456 BOTT. K.O. LIFT ROD SPRING |
| 1413 BOTT. K.O. OPER. LEVER FULC. PIN | 1458 BOTT. K.O. LIFT ROD SPRING LOCKNUT |
| 1415 BOTT. K.O. OPER. LEVER SLIDE BLOCK | 1459 BOTT. K.O. OPER. LEVER FULC. PIN BUSH. |
| 1416 BOTT. K.O. SLIDE BLOCK PIN | 1497 BOTT. K.O. PILOT |
| 1417 BOTT. K.O. LEVER | 1498 BOTT. K.O. SUPPORT |
| 1418 BOTT. K.O. LEVER FULC. PIN | 1802 BOTT. K.O. OFFSET LINK |
| 1419 BOTT. K.O. KICKER PIN | 1804 BOTT. K.O. LINK GUIDE |
| 1442 BOTT. K.O. CAM ROLLER LEVER LIFT BRACKET | |

INSTRUCTIONS

TO ADJUST FOR SHORTER STROKE OF KICKER PIN

LOOSEN BREAKER BOLT 1446. AND LOCKNUT 1445. TURN LIFT ROD ADJUSTING NUT 1802 DOWNWARD, LENGTHENING LIFT ROD 1408 TO GIVE DESIRED STROKE OF KICKER PIN 1419 AS INDICATED BY THE MARKINGS ON LIFT ROD 1408.

BE CERTAIN TO TIGHTEN LOCKNUT 1445 AND BREAKER BOLT 1446 AFTER MAKING ADJUSTMENT.