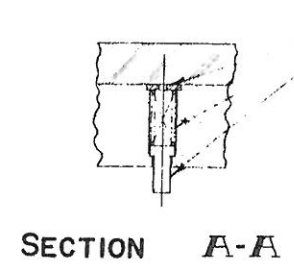
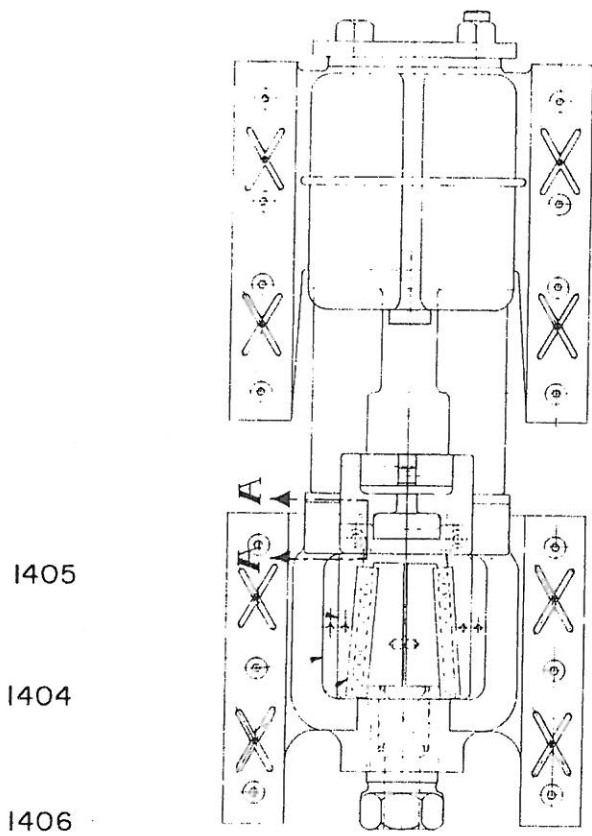
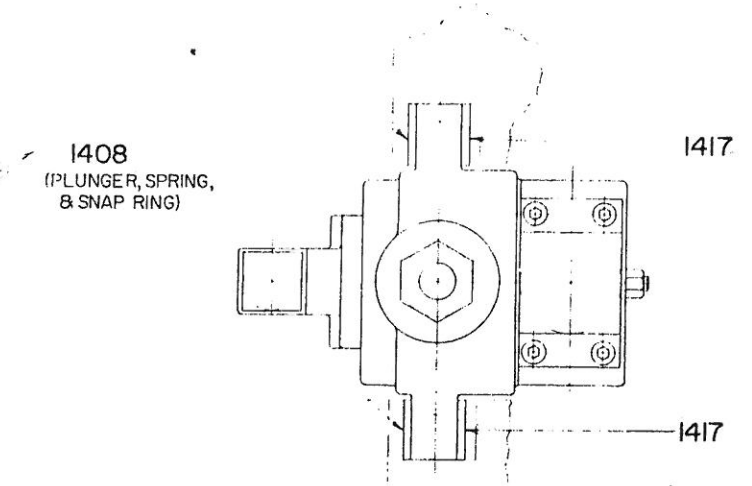
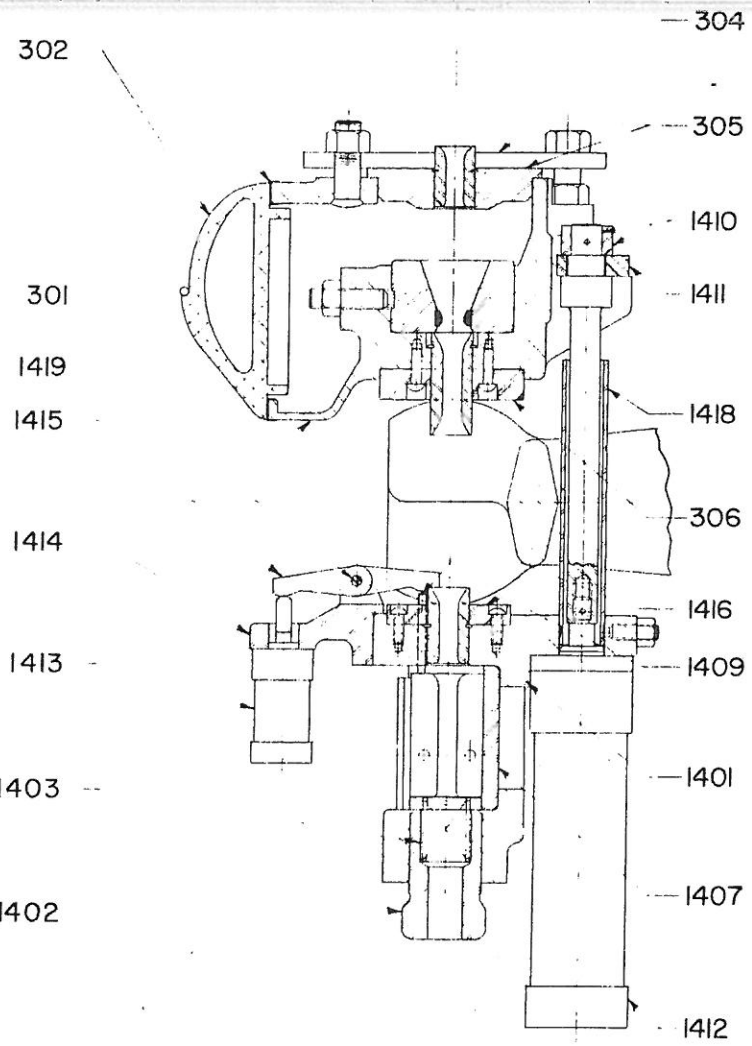
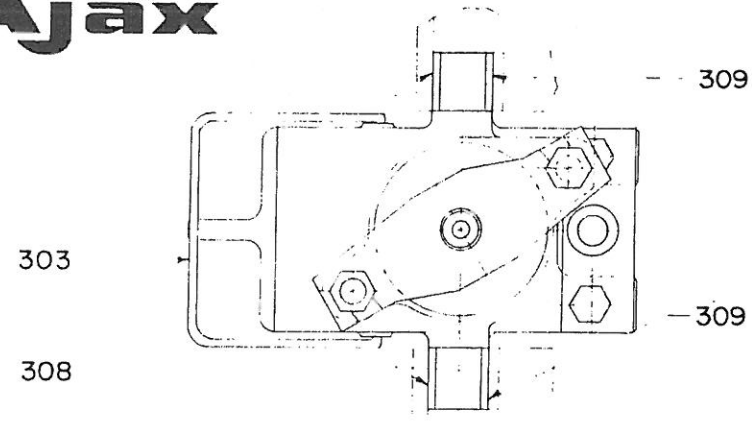


Ajax

Ajax

WHEN ORDERING REPLACEMENTS, STATE SERIAL NUMBER AND SIZE STAMPED ON NAME PLATE OF MACHINE, AND DESIGNATE PART BY BOTH NUMBER AND NAME.



1408
(PLUNGER, SPRING,
& SNAP RING)

- 300 Die Slide Complete (Parts 301-309 Incl.)
- 301 Die Slide
- 302 Die Slide Cover
- 303 Die Slide Cover Clamp
- 304 Die Slide Bushing Clamp
- 305 Die Slide Bushing Holder
- 306 Die Slide Bumping Plate
- 308 Die Slide Gasket
- 309 Die Slide Wear Plates

- 1400 Grip Feed Slide Complete (Parts 1401-1419 Incl.)
- 1401 Grip Feed Slide
- 1402 Hollow Screw For Grip Feed Slide
- 1403 Spring For Grip Feed Slide Hollow Screw
- 1404 Backing Blocks For Grip Feed Slide
- 1405 Stationary Wedge Blocks For Grip Feed Slide
- 1406 Grip Feed Slide Roller Cages
- 1407 Bottom Liner For Grip Feed Slide
- 1408 Cage Act. Spring Plunger Ass'y. For Grip Feed Slide
- 1409 Bumping Plate For Grip Feed Slide
- 1410 Cylinder Rod Extension With Retainer Collar
- 1411 Stay Bar
- 1412 Air Cylinder For Grip Feed Slide
- 1413 Air Cylinder For Grip Block Release
- 1414 Mounting Bracket For Grip Release Cylinder
- 1415 Grip Block Release Lever
- 1416 Grip Block Release Pins
- 1417 Grip Feed Slide Wear Plates
- 1418 Piston Rod Guard For Grip Feed Slide
- 1419 Fulcrum Pin For Grip Block Release Lever