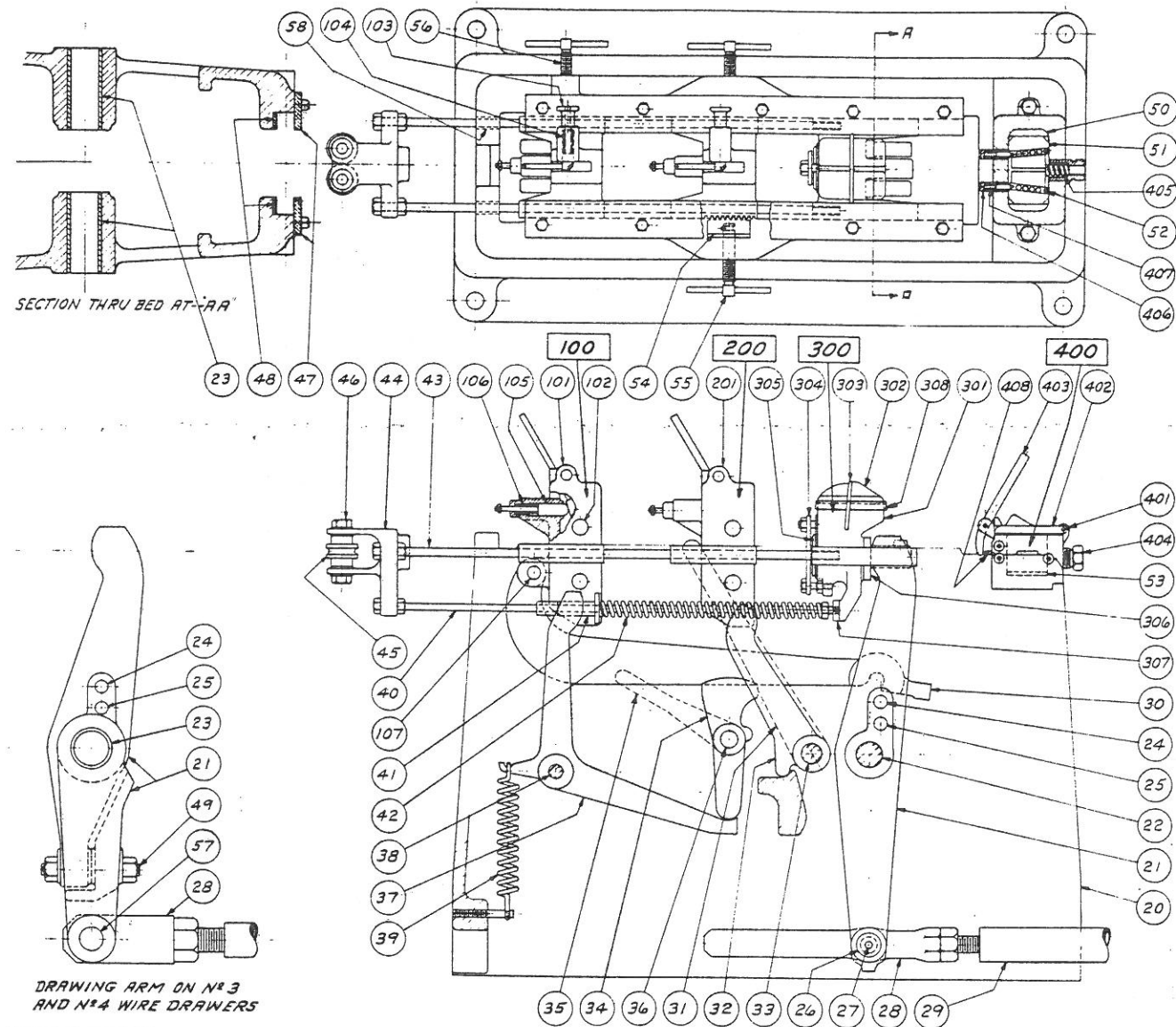


WIRE DRAWER
PARTS LIST

SHEET WD-1

AJAX



WHEN ORDERING REPLACEMENTS STATE SERIAL NUMBER AND SIZE STAMPED ON NAME PLATE OF MACHINE AND DESIGNATE PART BY BOTH NAME AND NUMBER.

- 20 BASE
- 21 DRAWING ARM
- 22 DRAWING ARM FULCRUM PIN
- 23 DRAWING ARM FULC. PIN BUSHING
- 24 REMOVABLE PIN FOR DRWG & INCH. ARMS
- 25 PIN FOR DRAWING & INCHING ARMS
- 26 SHEAR PIN BUSHINGS (SET OF THREE)
- 27 SHEAR PIN
- 28 PULL ROD EYE FOR DRWG ARM
- 29 PULL ROD
- 30 INCHING ARM
- 31 INCHING HAND LEVER
- 32 INCHING LEVER
- 33 INCHING LEVER FULCRUM PIN
- 34 INCHING ARM LIFTER
- 35 INCHING ARM LIFTER HANDLE
- 36 INCHING ARM LIFTER FULC. PIN
- 37 THROW OUT BELL CRANK
- 38 THROW OUT BELL CRANK FULC. PIN
- 39 SPRING FOR THROW OUT BELL CRANK
- 40 SPRING RODS
- 41 SPRING ROD SLEEVES

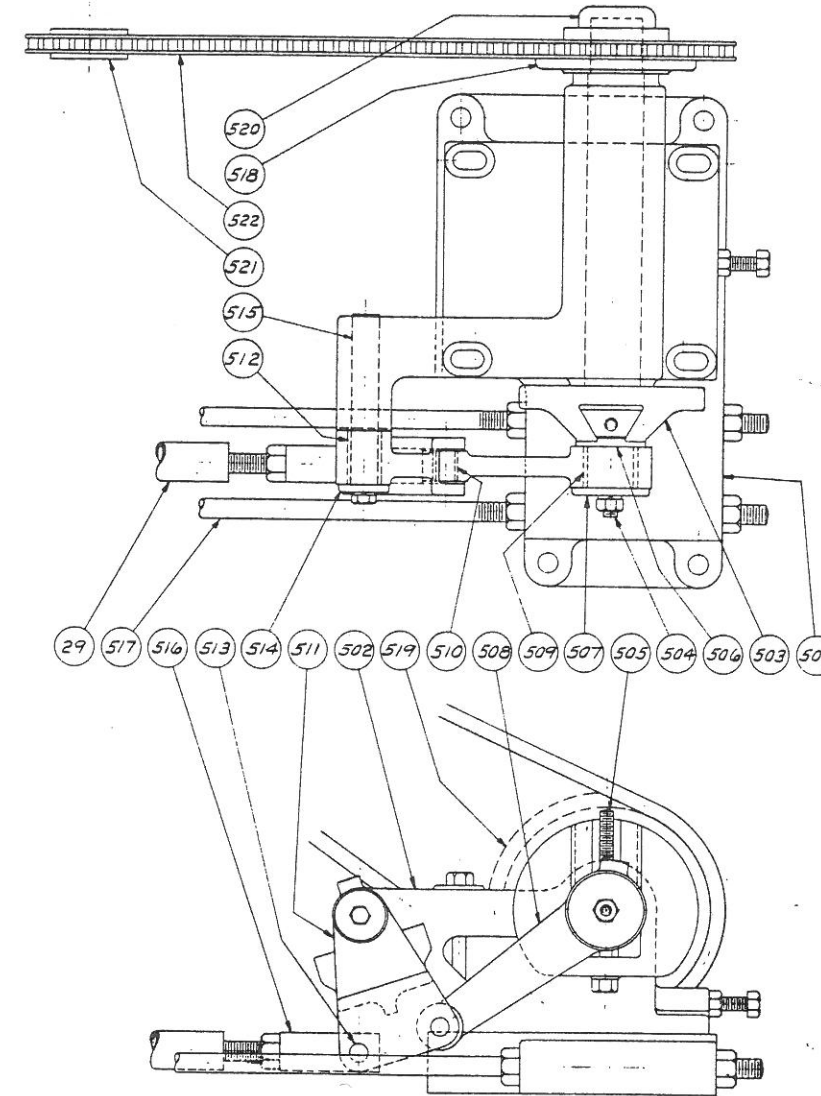
- 42 SPRING FOR SPRING ROD
- 43 STRAIGHTENER RODS
- 44 STRAIGHTENER BRACKET
- 45 STRAIGHTENER ROLLERS
- 46 STRAIGHTENER ROLLER PINS
- 47 COVER PLATES FOR SLIDES
- 48 LINERS FOR BASE
- 49 BREAKER BOLT FOR DRAWING ARM
- 50 BACKING BLOCKS FOR GRIP
- 51 STATIONARY WEDGE BLOCKS FOR GRIP
- 52 ROLLER CAGES
- 53 BOTTOM LINER FOR GRIP BOX
- 54 CLAMPING RACK FOR INCH. GRIP SLIDE
- 55 SCREW FOR CLAMPING RACK
- 56 CLAMP SCREW FOR INCH. FEED SLIDE
- 57 PIN PULL ROD EYE TO DRWG. ARM
- 58 STRAIGHTENER BUSHING
- 100 INCH FD. SL. COMPLETE WITH PARTS 101 TO 107 INCL.
- 101 INCHING FEED SLIDE
- 102 PINS FOR INCHING FINGERS
- 103 LATCH FOR INCHING FINGERS
- 104 LATCH SPRING
- 105 SPRING PLUG FOR INCHING FINGERS
- 106 SPRING FOR SPRING PLUG
- 107 PIN FOR INCHING ARM

- 200 INCH GRIP SL. COMPLETE WITH PARTS 201 & 102 TO 106 INCL.
- 201 INCH. GRIP SLIDE
- 102 PINS FOR INCHING FINGERS
- 103 LATCH FOR INCHING FINGERS
- 104 LATCH SPRING
- 105 SPRING PLUG FOR INCHING FINGERS
- 106 SPRING FOR SPRING PLUG
- 300 DIE SL. COMPLETE WITH PARTS 301 TO 308 INCL.
- 301 DIE SLIDE
- 302 DIE SLIDE COVER
- 303 DIE SLIDE COVER CLAMP
- 304 DIE SLIDE BUSHING CLAMP
- 305 DIE SLIDE BUSHING HOLDER
- 306 DIE SLIDE BUMPING PLATES
- 307 DIE SLIDE INCHING PLATE
- 308 DIE SLIDE BOX GASKET
- 400 GRIP BOX COMPLETE WITH PARTS 401 TO 408 INCL.
- 401 GRIP BOX
- 402 COVER FOR GRIP BOX
- 403 HANDLE FOR GRIP BOX
- 404 HOLLOW SCREW FOR GRIP BOX
- 405 SPRING FOR GRIP BOX HOLLOW SCREW
- 406 SCREW FOR ROLLER CAGE ACTUATING SPR.
- 407 ROLLER CAGE ACTUATING SPRING
- 408 GRIP BOX RELEASE PIN

THE AJAX MANUFACTURING COMPANY
CLEVELAND, 17, OHIO.

WIRE DRAWER DRIVE
PARTS LIST

AJAX



WHEN ORDERING REPLACEMENTS STATE SERIAL NUMBER AND SIZE STAMPED ON NAME PLATE OF MACHINE AND DESIGNATE PART BY BOTH NAME AND NUMBER.

- 501 BASE FOR ECCENTRIC SHAFT HOUSING
- 502 HOUSING FOR ECCENTRIC SHAFT
- 503 ECCENTRIC AND SPROCKET SHAFT
- 504 DOVE TAILED HEAD PIN FOR ECC.
- 505 ECCENTRIC PIN ADJUSTING SCREW
- 506 SLEEVE FOR ECCENTRIC PIN
- 507 WASHER FOR ECCENTRIC PIN
- 508 PITMAN
- 509 PITMAN BUSHING - MAIN EYE
- 510 PITMAN BUSHING - SMALL EYE
- 511 ROCKER
- 512 ROCKER BUSHING
- 513 PINS FOR ROCKER
- 514 ROCKER RETAINER WASHER
- 515 ROCKER FULCRUM PIN
- 516 PULL ROD EYE
- 29 PULL ROD
- 517 TIE RODS
- 518 SPROCKET HUB
- 519 DRIVEN SPROCKET

- 520 SPROCKET HUB RETAINER WASHER
- 521 DRIVING SPROCKET
- 522 ROLLER CHAIN

THE AJAX MANUFACTURING COMPANY
CLEVELAND, 17, OHIO.