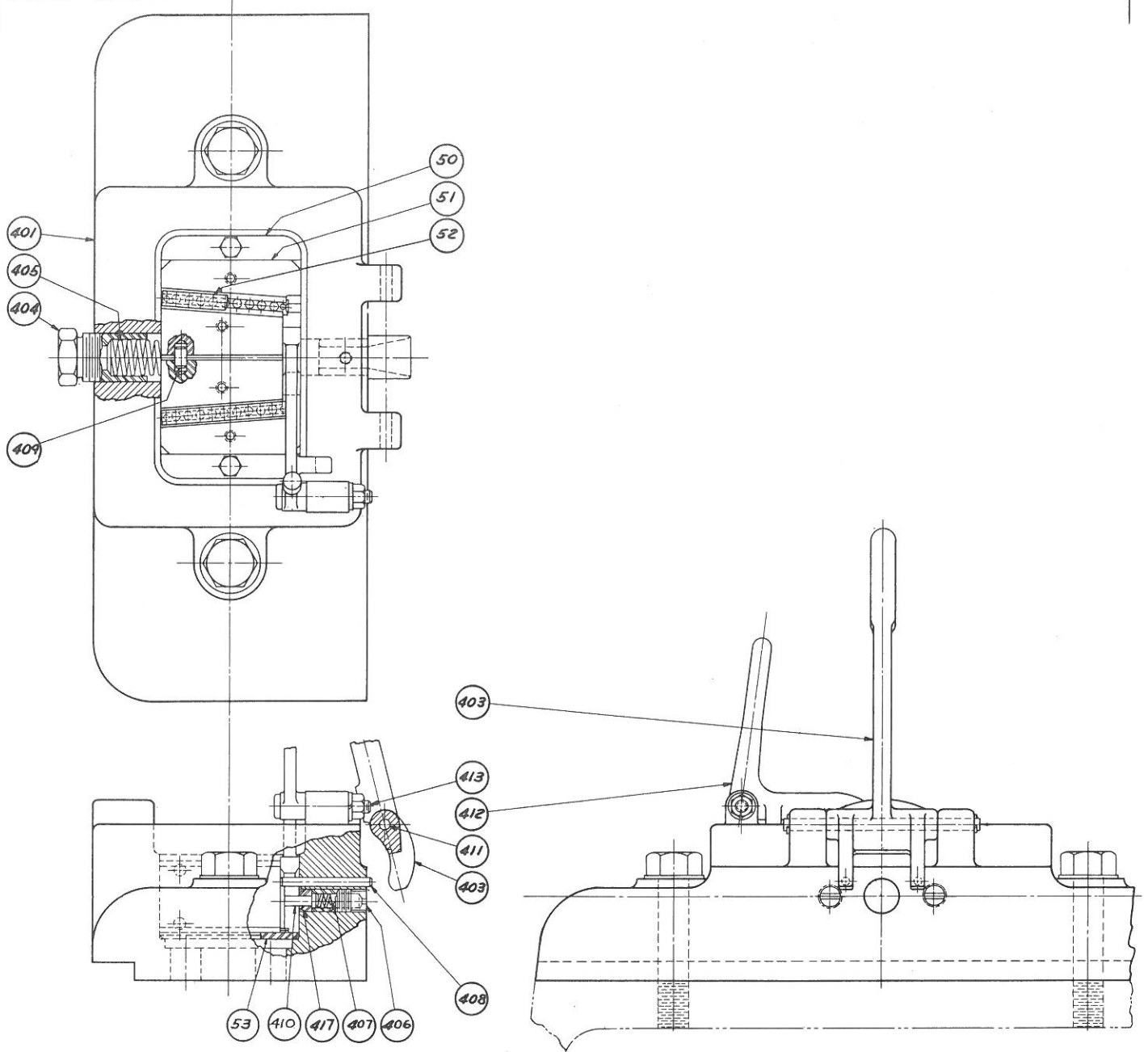


GRIP BOX
PARTS LIST

A J A X

SHEET WD-5-A



400 GRIP BOX COMPLETE WITH PARTS LISTED BELOW

- 401 GRIP BOX
- 403 HANDLE FOR GRIP BOX
- 404 HOLLOW SCREW FOR GRIP BOX
- 405 SPRING FOR GRIP BOX HOLLOW SCREW
- 406 SCREWS FOR ROLLER CAGE ACT. SPRINGS
- 407 ROLLER CAGE ACTUATING SPRINGS
- 408 PINS FOR GRIP BLOCKS RELEASE
- 409 PINS FOR GRIP BLOCKS
- 410 PLUGS FOR ROLLER CAGE SPRINGS
- 411 FULCRUM PIN FOR GRIP RELEASE HANDLE

- 412 GRIP BLOCKS BLOCKER LEVER
- 413 BLOCKER LEVER FULCRUM PIN
- 417 LOCK SCR FOR PLUG

- 50 BACKING BLOCKS FOR GRIP
- 51 STATIONARY WEDGE BLOCKS FOR GRIP
- 52 ROLLER CAGES
- 53 BOTTOM LINER FOR GRIP BOX

WHEN ORDERING REPLACEMENTS STATE
SERIAL NUMBER AND SIZE STAMPED ON
NAME PLATE OF MACHINE AND DESIGNATE
PART BY BOTH NAME AND NUMBER

THE AJAX MANUFACTURING COMPANY
CLEVELAND (17), OHIO