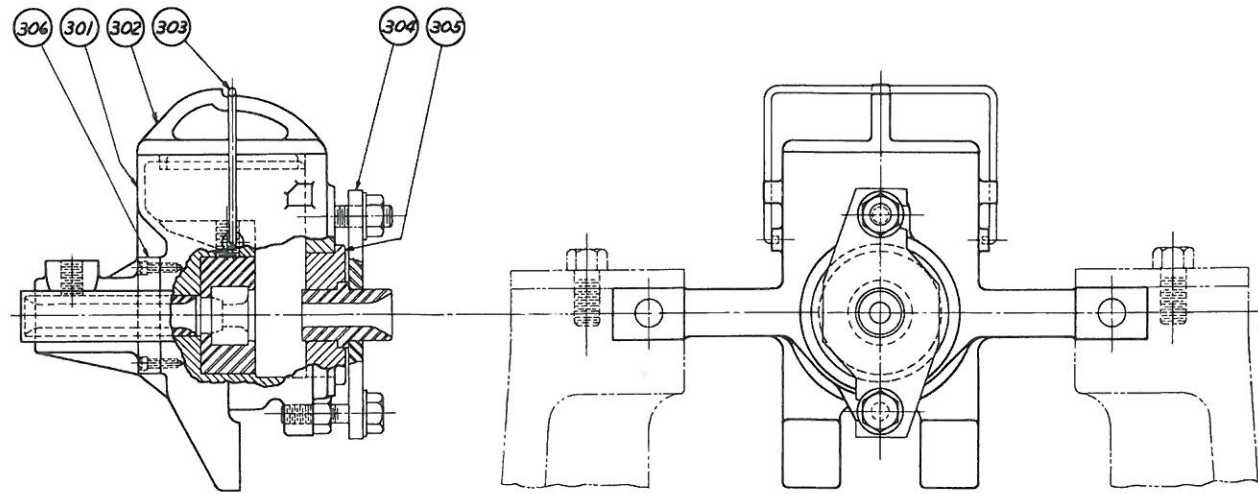
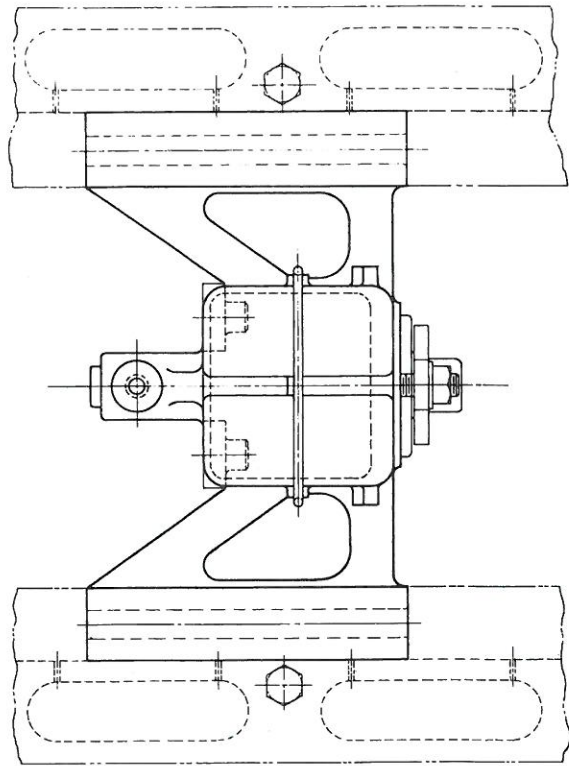


DIE SLIDE
PARTS LIST

AJAX

SHEET WD-6



- 300 DIE SLIDE COMPLETE WITH PARTS 301 TO 306 INCLUSIVE
- 301 DIE SLIDE
- 302 DIE SLIDE COVER
- 303 DIE SLIDE COVER CLAMP
- 304 DIE SLIDE BUSHING CLAMP
- 305 DIE SLIDE BUSHING HOLDER
- 306 DIE SLIDE BUMPING PLATES

WHEN ORDERING REPLACEMENTS STATE
SERIAL NUMBER AND SIZE STAMPED ON
NAME PLATE OF MACHINE AND DESIGNATE
PART BY BOTH NAME AND NUMBER

THE AJAX MANUFACTURING COMPANY
CLEVELAND (17), OHIO