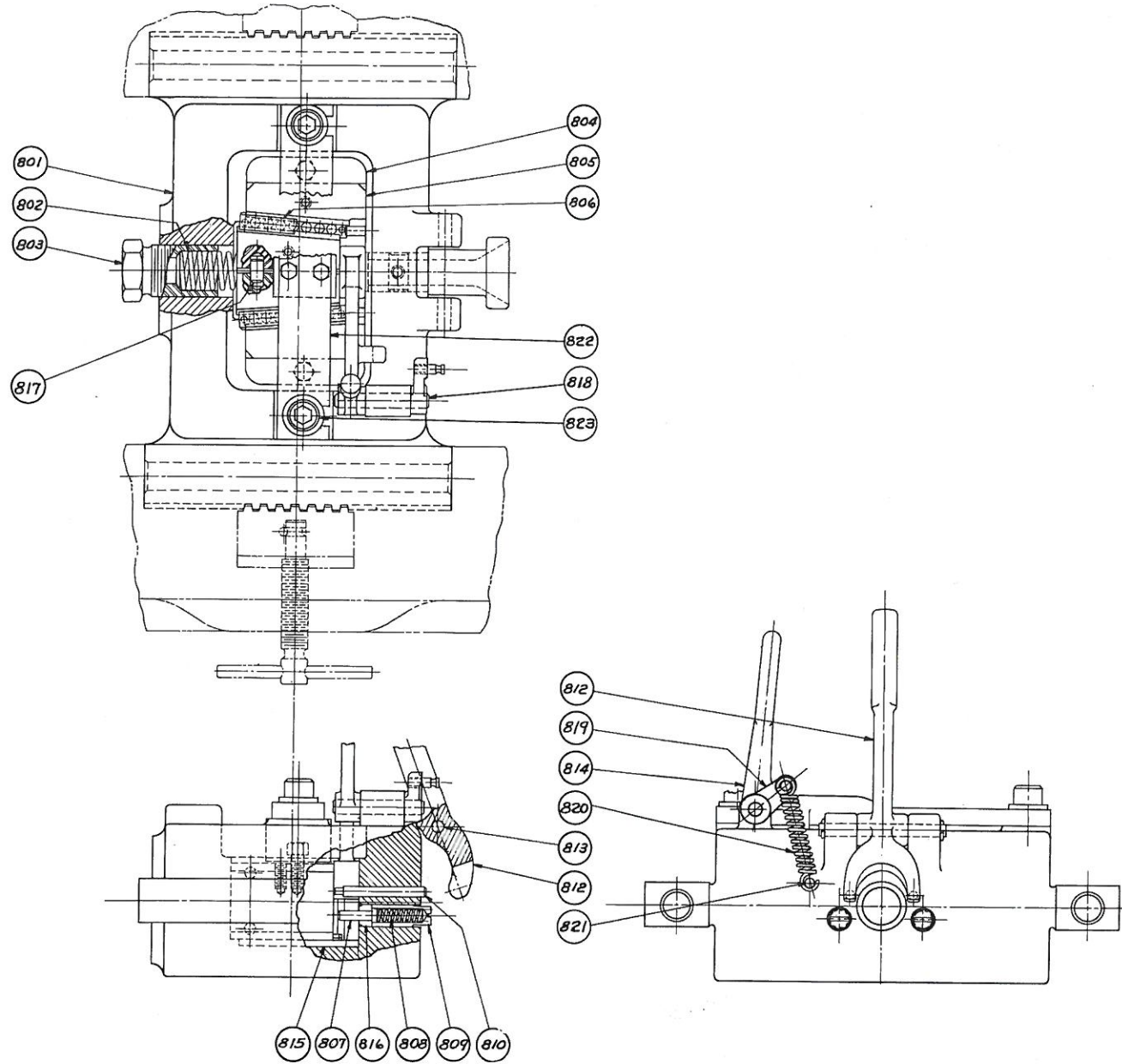


INCHING, GRIP BOX  
PARTS LIST

SHEET WD-7-A

AJAX



800 INCHING GRIP BOX COMPLETE WITH PARTS LISTED BELOW

- |  |   |
|--|---|
| 801 INCHING GRIP BOX                               | 819 BLOCKER LEVER SPRING ARM                  |
| 802 SPRING FOR INCH. GRIP BLOCK HOLLOW SCREW       | 812 INCHING GRIP BLOCKS RELEASE HANDLE        |
| 803 HOLLOW SCREW FOR INCHING GRIP BOX              | 813 FULCRUM PIN FOR INCH. GRIP RELEASE HANDLE |
| 804 BACKING BLOCKS FOR INCHING GRIP BOX            | 814 INCHING GRIP BLOCK BLOCKER LEVER          |
| 805 STATIONARY WEDGE BLOCKS FOR INCH. GRIP         | 815 BOTTOM LINER FOR INCHING BOX              |
| 806 INCHING GRIP ROLLER CAGES                      | 817 PINS FOR GRIP BLOCKS                      |
| 807 PLUGS FOR INCH. GRIP ROLLER CAGE SPRINGS       | 818 BLOCKER LEVER FULCRUM PIN                 |
| 808 INCH. GRIP ROLLER CAGE ACTUATING SPRINGS       | 820 BLOCKER LEVER SPRING                      |
| 809 SCREWS FOR INCH. GRIP ROLLER CAGE ACT. SPRINGS | 821 BLOCKER LEVER SPRING POSTS                |
| 810 PINS FOR INCHING GRIP BLOCK RELEASE            | 822 GRIP BLOCK RETAINER BAR                   |
| 816 LOCK SCREWS FOR PLUGS                          | 823 COLLAR SCREWS FOR RETAINER BAR            |

WHEN ORDERING REPLACEMENTS STATE  
SERIAL NUMBER AND SIZE STAMPED ON  
NAME PLATE OF MACHINE AND DESIGNATE  
PART BY BOTH NAME AND NUMBER

THE AJAX MANUFACTURING COMPANY  
CLEVELAND (17), OHIO