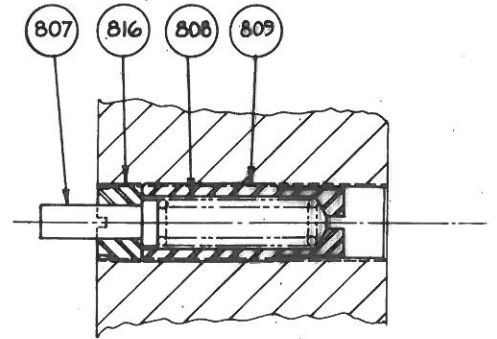
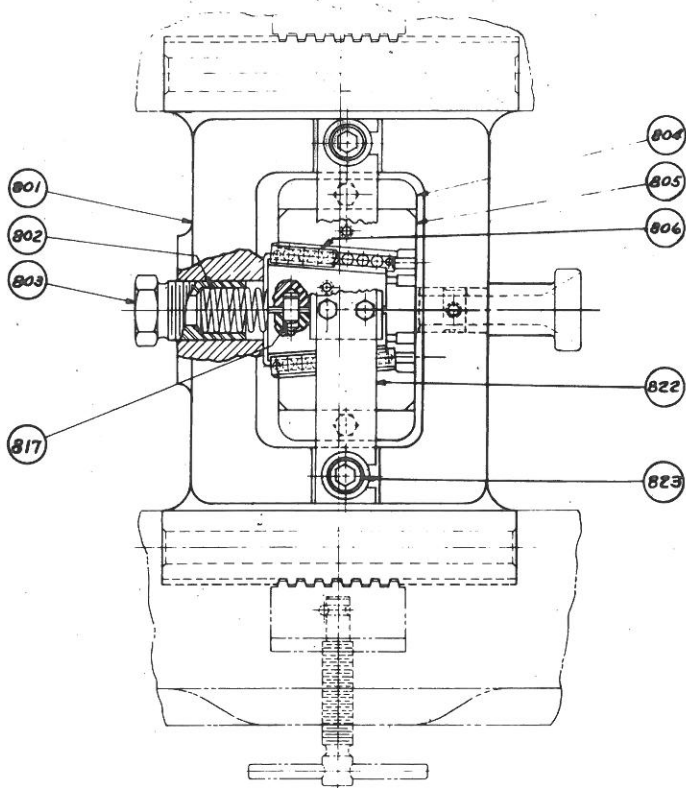


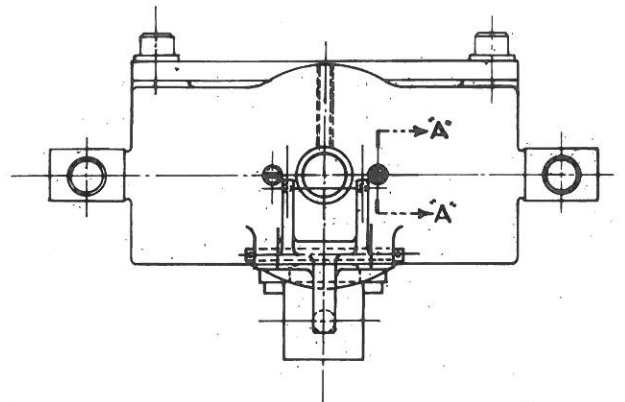
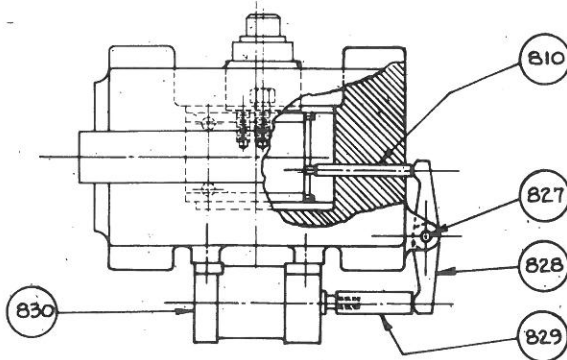
INCHING, GRIP BOX
PARTS LIST

AJAX

SHEET WD-7-B



SECTION AA



800 INCHING GRIP BOX COMPLETE WITH PARTS LISTED BELOW

- | | |
|--|--|
| 801 INCHING GRIP BOX | 816 LOCK SCREWS FOR PLUG |
| 802 SPRING FOR INCHING GRIP BLOCK | 817 PINS FOR GRIP BLOCKS |
| 803 HOLLOW SCREW | 822 GRIP BLOCK RETAINING BAR |
| 804 BACKING BLOCKS | 823 COLLAR SCREWS FOR RETAINING BAR |
| 805 STATIONARY WEDGE BLOCKS | 827 FULCRUM PIN FOR GRIP RELEASE LEVER |
| 806 INCHING GRIP ROLLER CAGES | 828 GRIP RELEASE LEVER |
| 807 PLUGS FOR ROLLER CAGE SPRINGS | 829 CYLINDER ROD EXTENSION |
| 808 ROLLER CAGE ACTUATING SPRINGS | 830 AIR CYLINDER |
| 809 SCREWS FOR ROLLER CAGE ACTUATING SPRINGS | |
| 810 PINS FOR GRIP BLOCK RELEASE | |

WHEN ORDERING REPLACEMENTS STATE
SERIAL NUMBER AND SIZE STAMPED ON
NAME PLATE OF MACHINE AND DESIGNATE
PART BY BOTH NAME AND NUMBER

THE AJAX MANUFACTURING CO.
CLEVELAND OHIO, 44117